

Battery Charger Replacement

Review the illustrations and follow the steps to replace the battery charger.

- MX2890-01 DC Charger 230V replacement
- MX2890-02 DC Charger 115V replacement

Tools required

- Box end wrenches: 7/16 and 9/16 inch
- Crescent wrench
- Phillips head screwdriver
- Socket wrenches: 7/16 and 9/16 inch
- 1/4 - inch Hex key

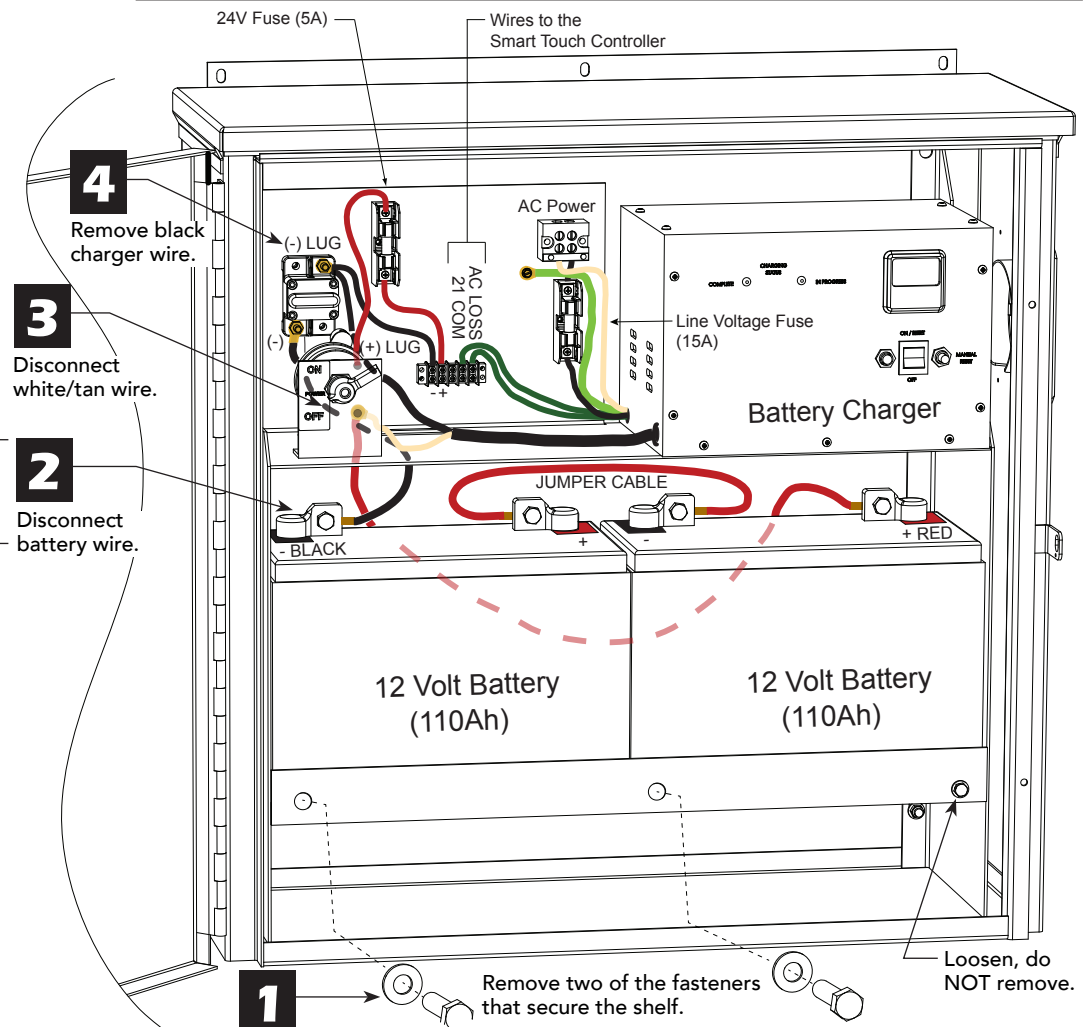
WARNING

Prevent Electrical Shock! Do NOT touch both poles of the battery at the same time! Serious injury and shock will occur. Be sure the black wire on the negative terminal of the battery is disconnected. Read and follow step 2.

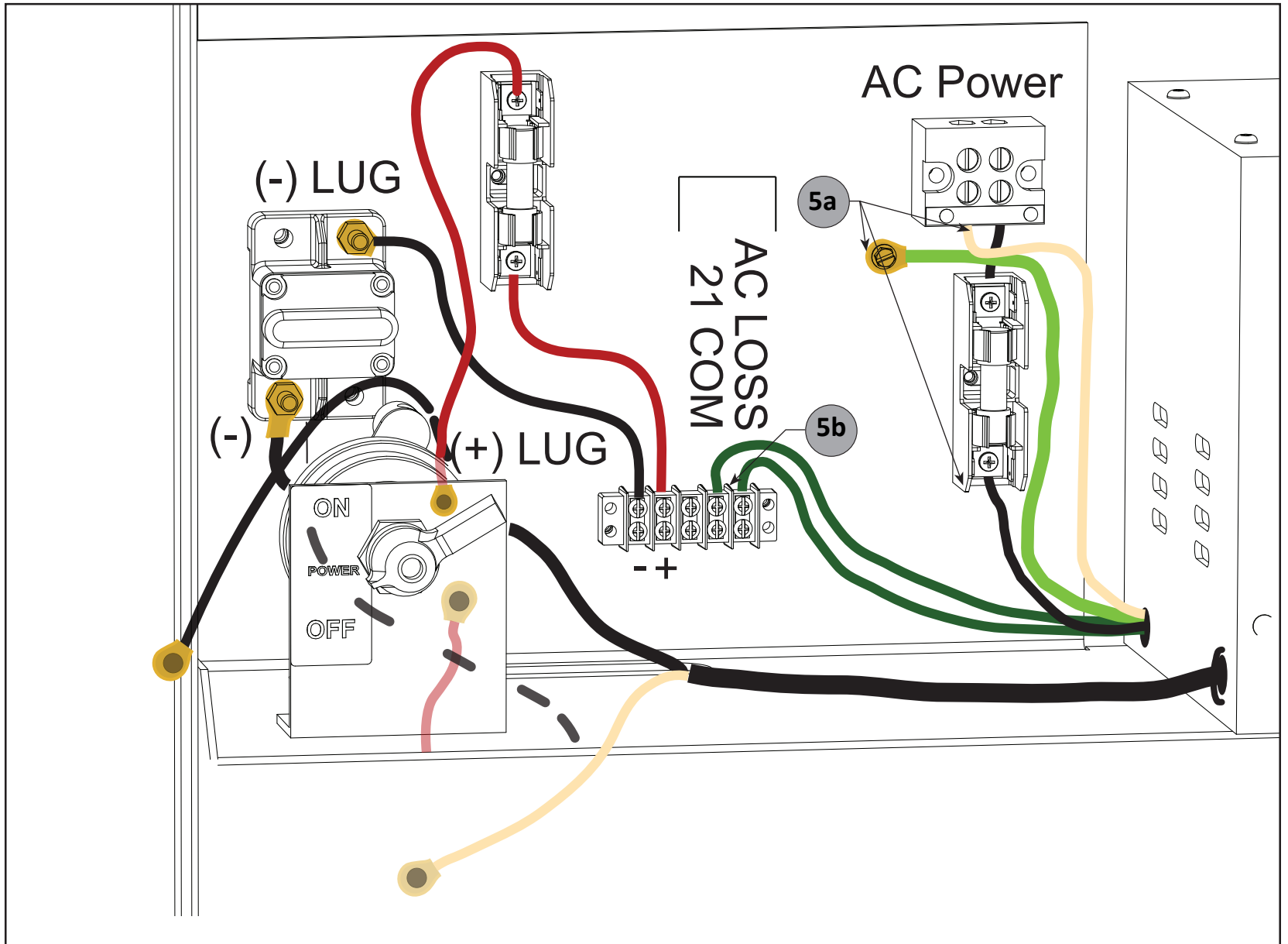
1. Use two 7/16-inch box end wrenches and remove the two hex head bolts that secure the lip to the battery shelf. Loosen the third bolt, but do not remove it.
2. Pull the battery out to access the negative terminal. Disconnect the wire from the battery using a crescent and 9/16-inch wrench.
3. Using a 9/16-inch wrench, remove the white/tan battery charger wire from the backside/base of the ON/OFF disconnect switch. Return the red battery wire to the terminal and tighten the nut securely.
4. Remove the black battery charger wire from the upper lug on the circuit breaker.

DANGER

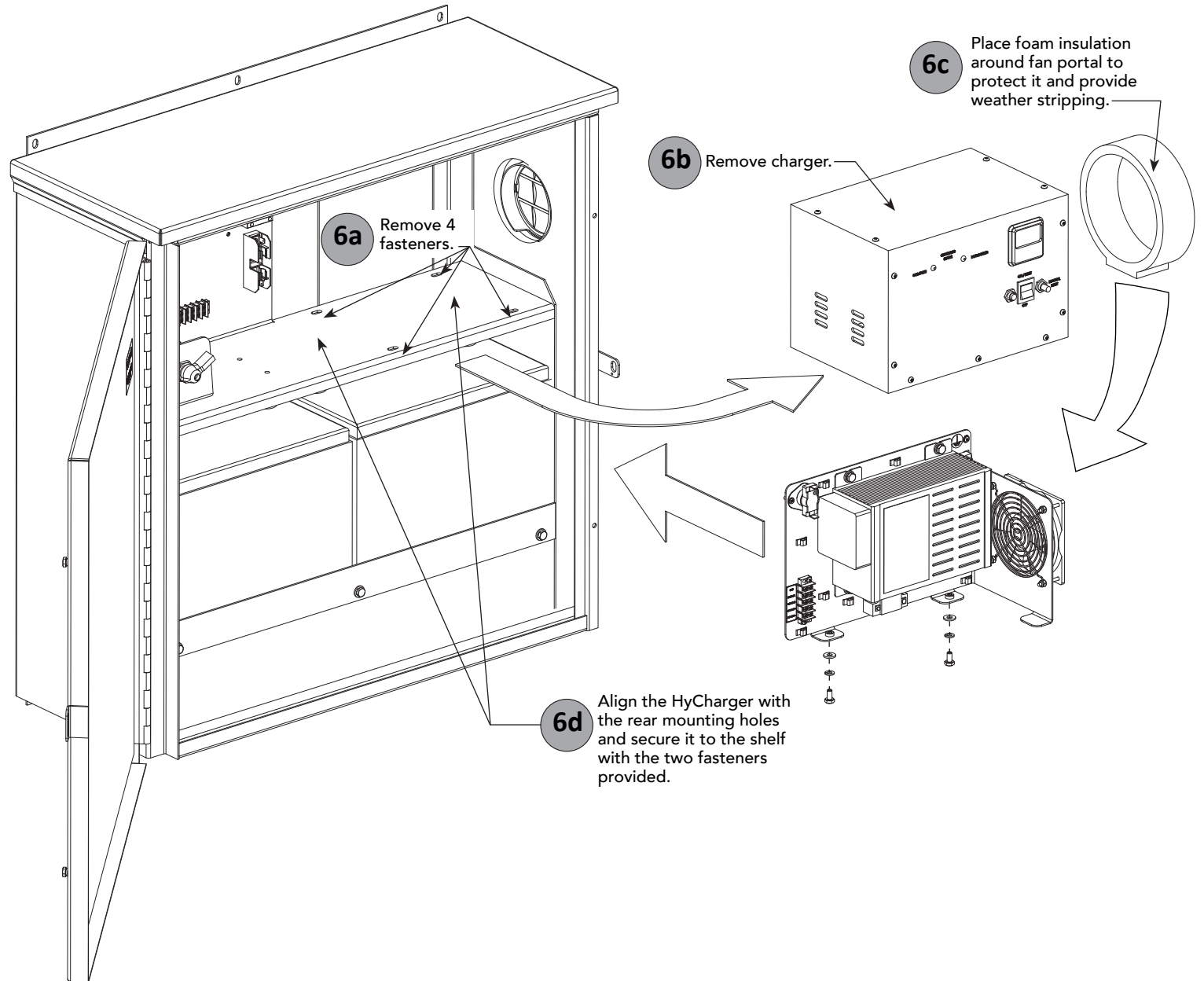
Turn OFF AC Power at the source (circuit breaker panel) before accessing the wires in the UPS cabinet. Follow facility Lock Out/Tag Out procedures. Make sure all power switches are in the OFF position. Follow all electrical code standards and regulations.



5 Disconnect All DC Charger Wiring

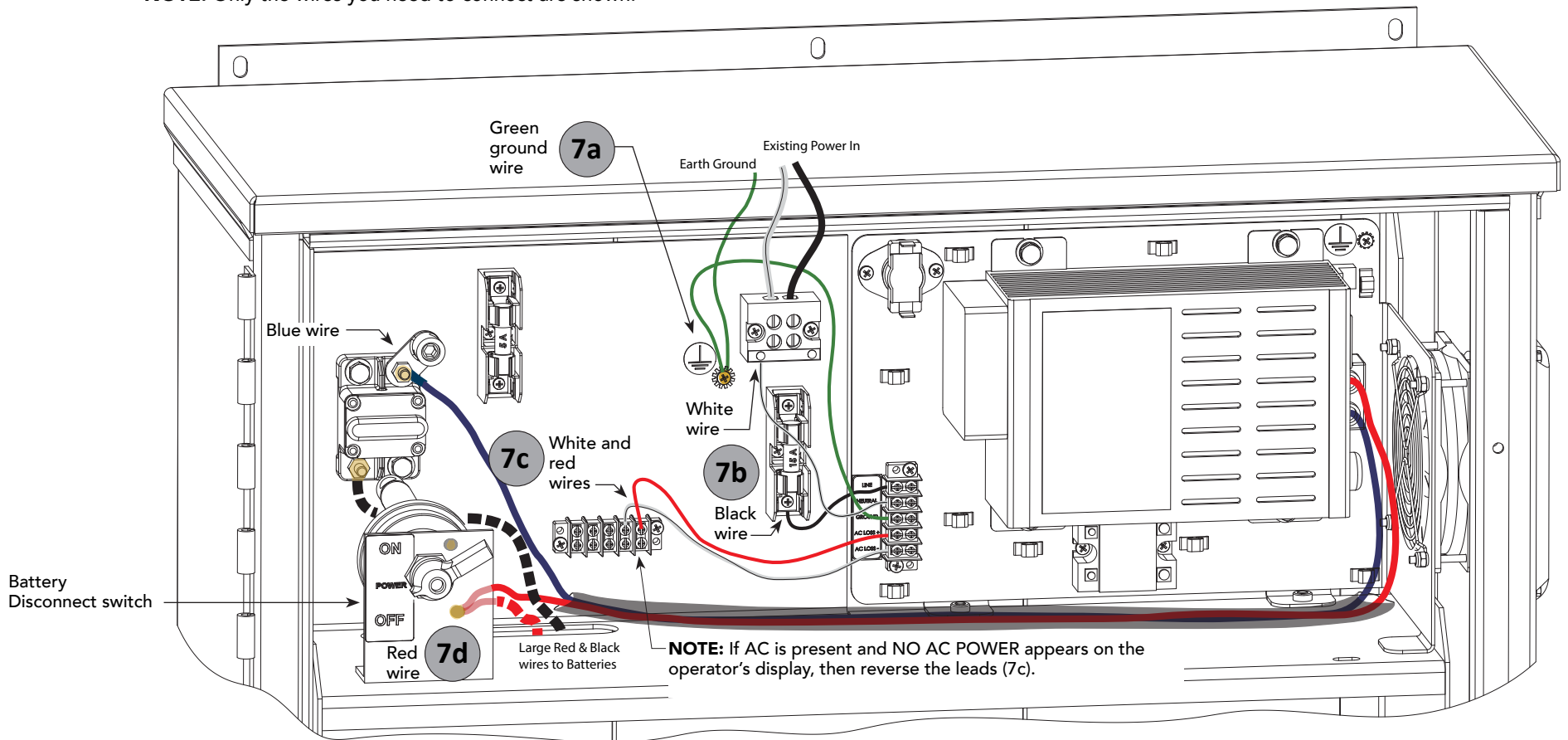


6 Replace Battery Charger with HyCharger



7 Connect HyCharger Wires

NOTE: Only the wires you need to connect are shown.



Finalize the installation by taking the following steps:

- Double check the wiring connections. Make sure they are correctly attached and secured. See illustrations.
- Turn power on (main circuit breaker, inside the hydraulic operator, and battery disconnect switch).

Technical Support

For technical support, call your installer or authorized HySecurity distributor. Obtain the serial number of your operator before calling. It's located near the power label on the operator.