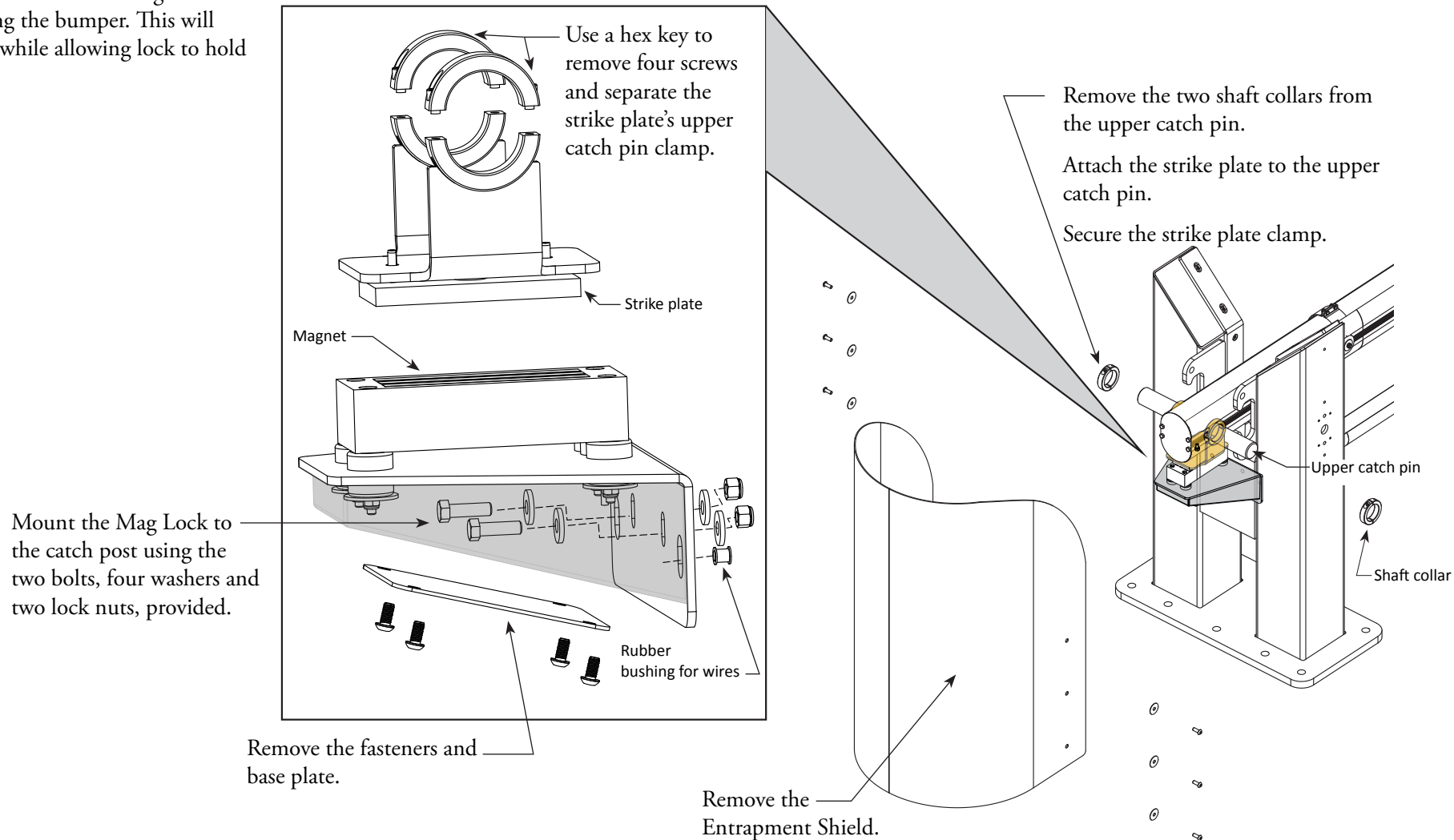


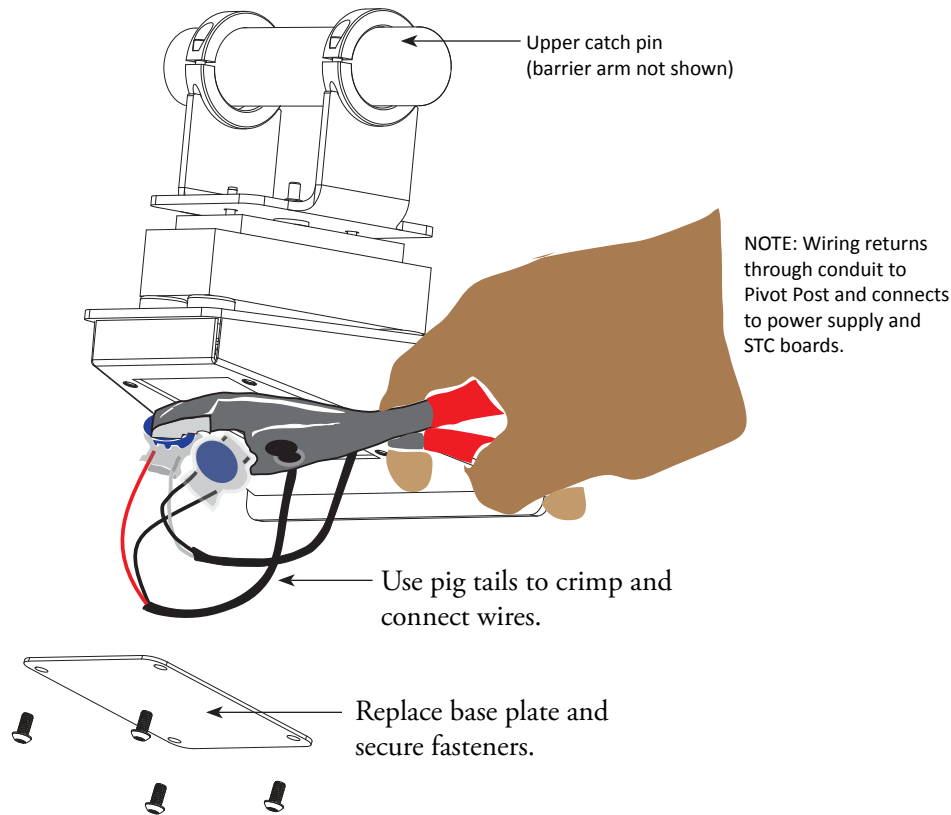
StrongArm CRASH Mag Lock

Adjust the height of lock assembly to allow the strike to rest on the magnet after compressing the bumper. This will minimize noise while allowing lock to hold consistently.



Wiring the Mag Lock

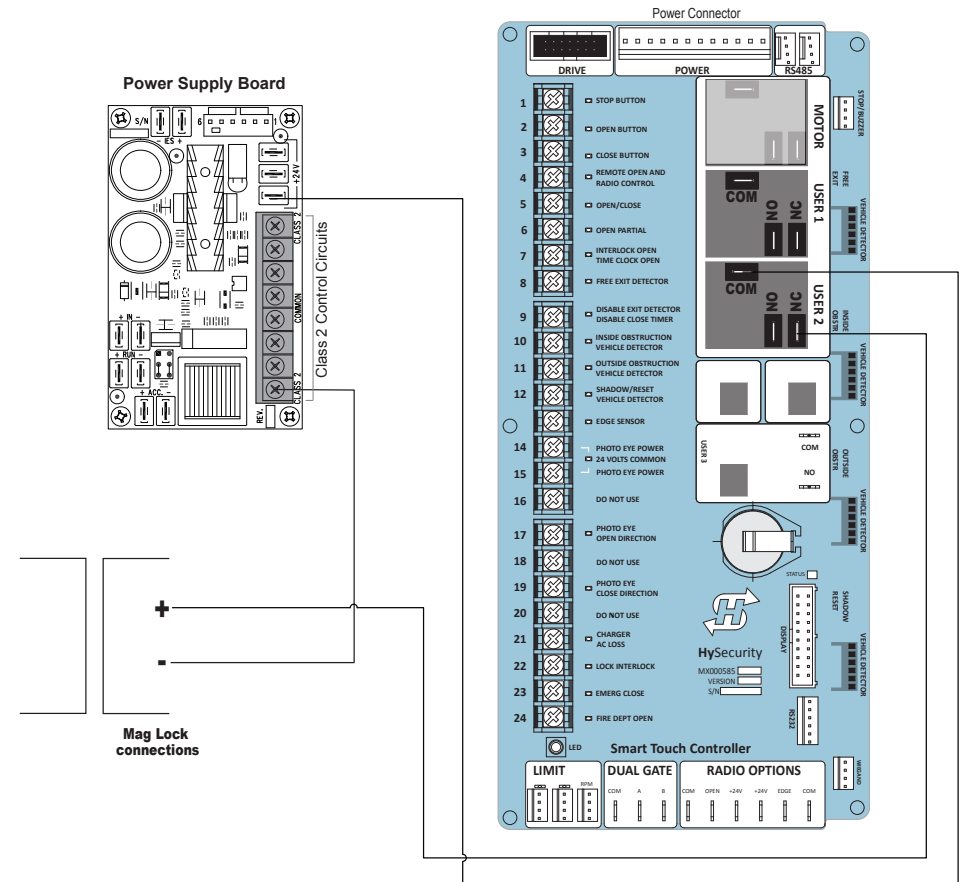
Connect wires from the Mag Lock to the STC board and +24V on the power supply board.



Technical Support

For Technical Support, call your installer or authorized HySecurity distributor. Obtain the serial number of your operator before calling.

Wiring Diagram



Configuring the Operator

Access the Installer Menu, R2 RELAY LOGIC and make sure that the user relay is set at its default setting of 6, Gate Lock Output.

If you need more information, refer to the gate operator's product manual, *User Relays - Programming Procedure*.

