

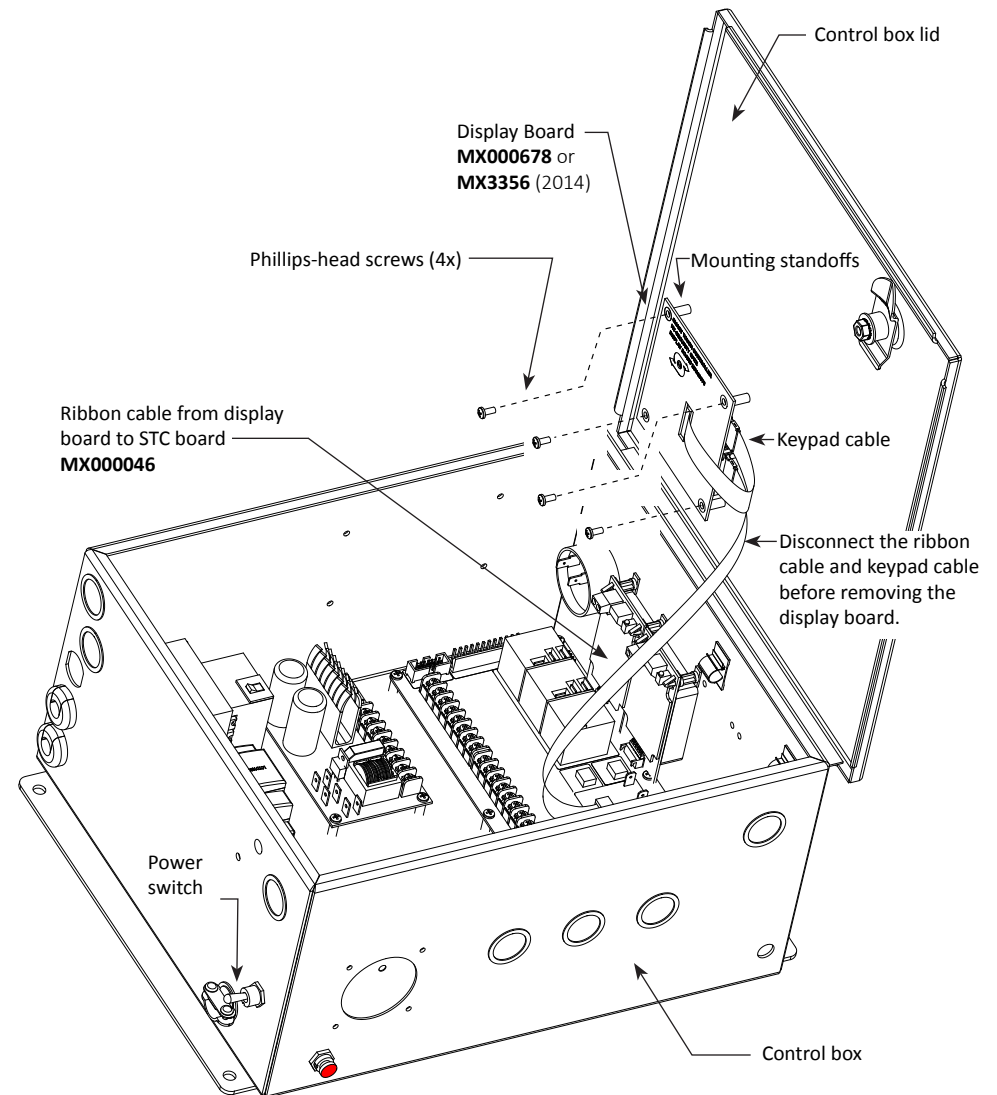
Smart Touch Controller (OLED) Display

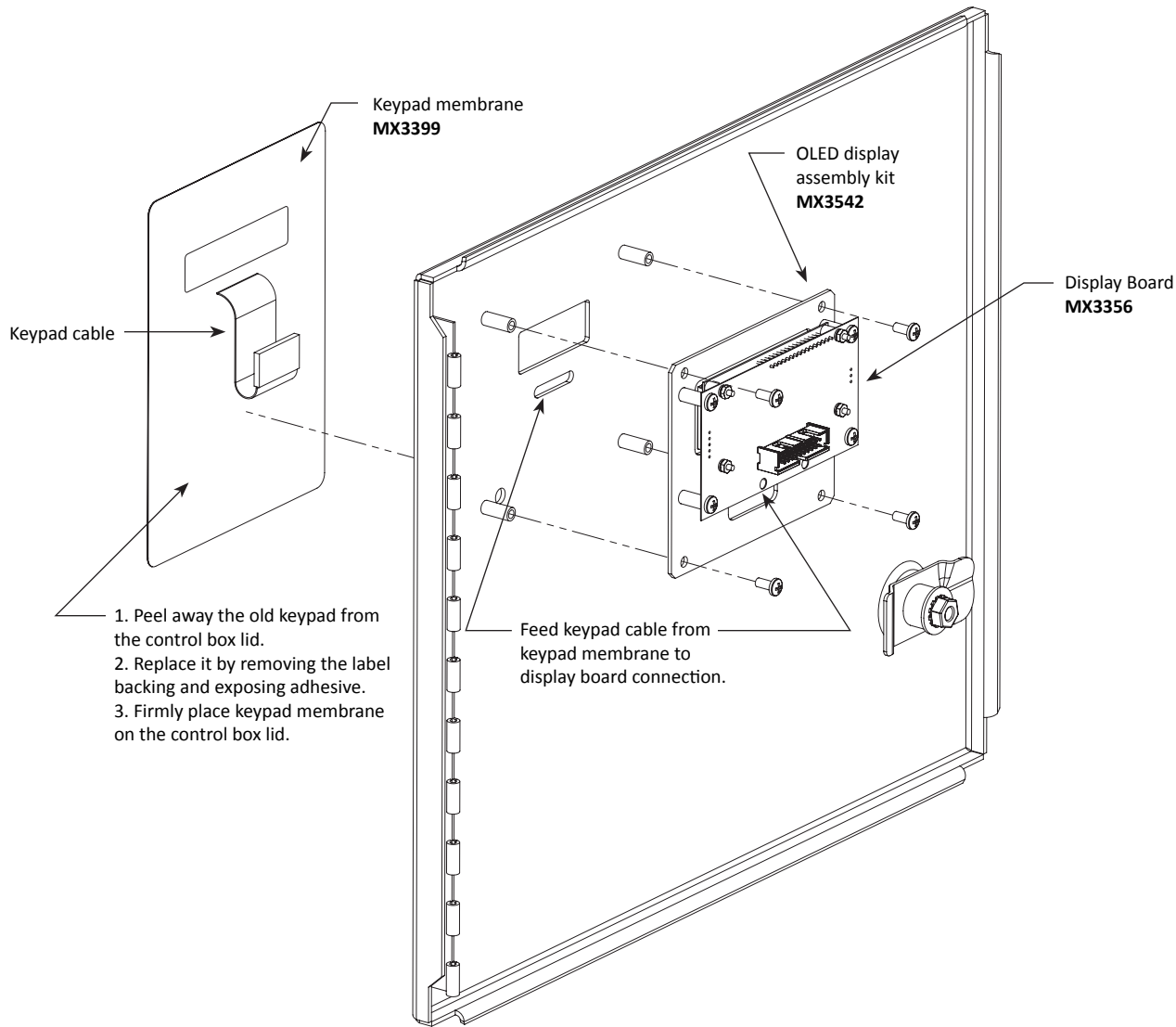
To replace the display in the control box with the OLED display kit, take the following steps:

1. Turn OFF power to the control box and open the control box lid.
2. Disconnect the ribbon cable and keypad cable.
3. Strip the keypad membrane off the top of the control box lid.
4. Using a Phillips-head screwdriver, remove the four screws that secure the display board to the control box lid. Note the orientation of the board so you can align the holes in the replacement display board assembly with the mounting standoffs.
5. Remove the adhesive backing on the keypad membrane MX3399.
6. Feed the keypad cable through the cutout in the control box lid while you securely press the keypad membrane into place on the lid. Refer to page 2.
7. Reattach the ribbon cable and keypad cable.

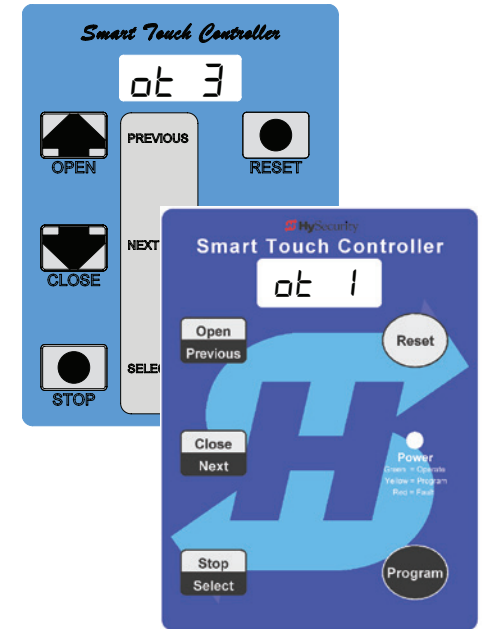
NOTICE: Make sure there are no twists in the ribbon cable. Do not force a ribbon cable's connection. The connectors are keyed so if it is difficult to connect, reassess the alignment as it will only go in one way.

8. Secure the replacement display board assembly using the screws removed in step 4.
9. Close the control box lid.
10. Turn ON power to the control box.
11. Test the keypad buttons and view the new display.





Hydraulic Gate Operator Type Displays



Hydraulic Gate Operator Display: MX3399
 Display/keypad introduced in 2014. The retro-fit kit MX3542 creates in-field compatibility between the control box and display/keypad.

