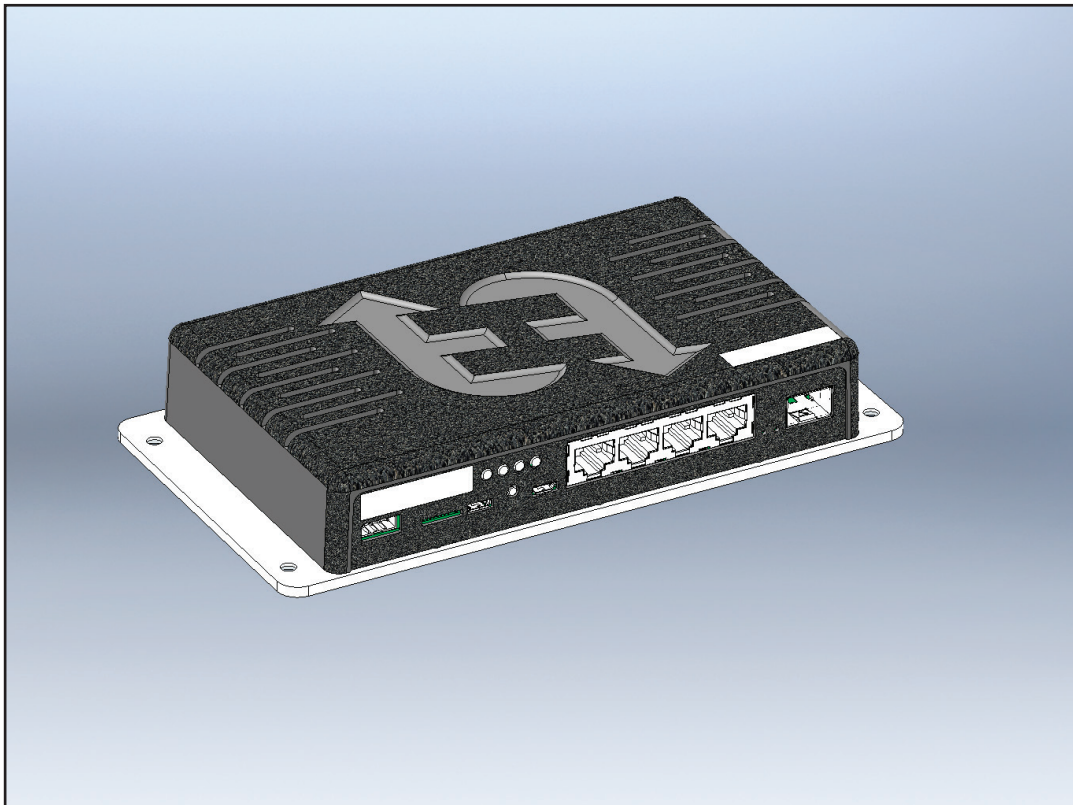


HyNet™ Gateway SFP 4/1

StrongArmPark DC 10 and StrongArmPark DCS 10
StrongArmPark DC 14 and StrongArmPark DCS 14



Installation Manual for HyNet Attachment: MX3867

This document is a supplemental document that provides specific information regarding configuration of the HySecurity gate operator with installation and wiring of the HyNet Gateway. For safety considerations and information specific to your gate operator, refer to the HySecurity gate operator product manuals.



HyNet Components

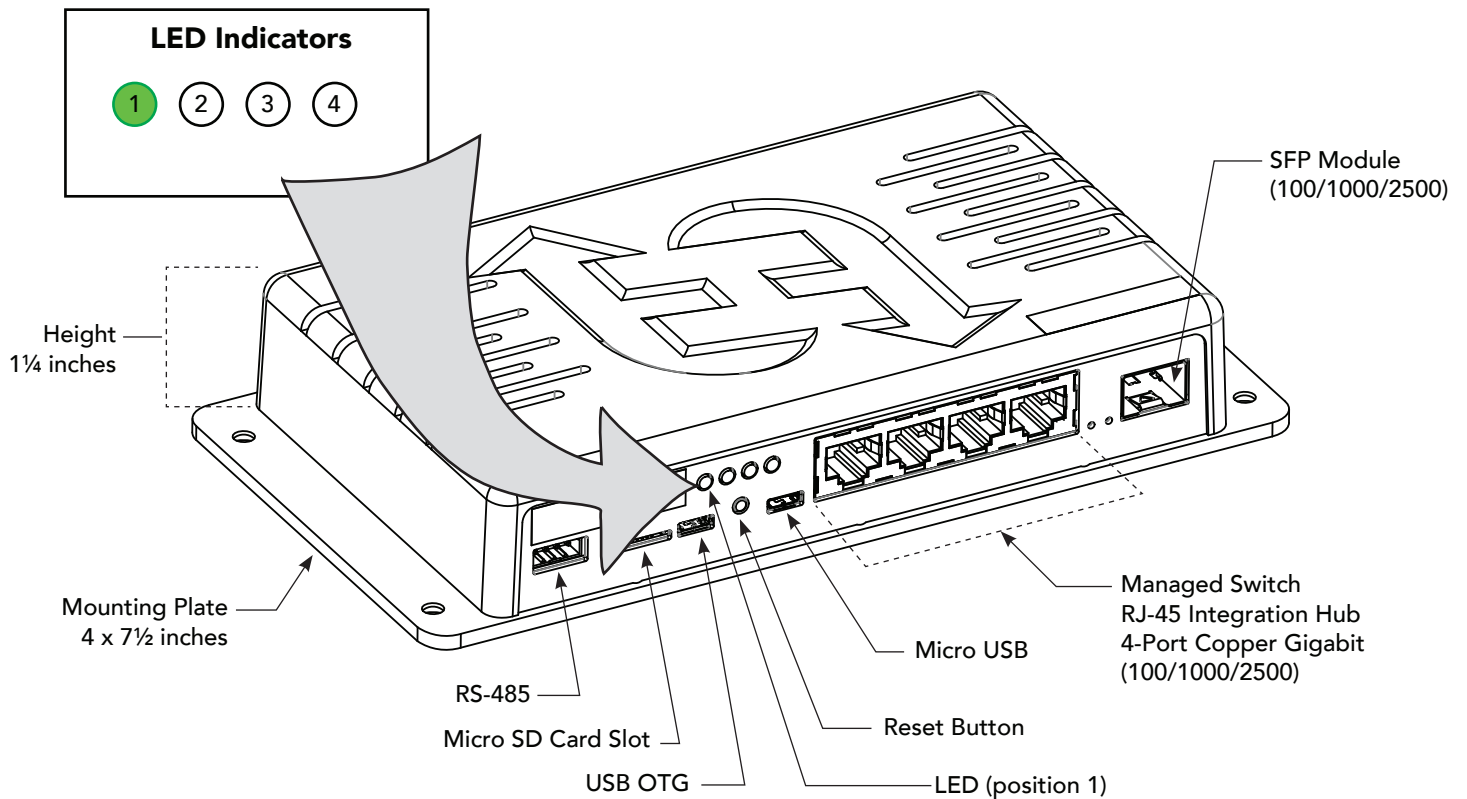
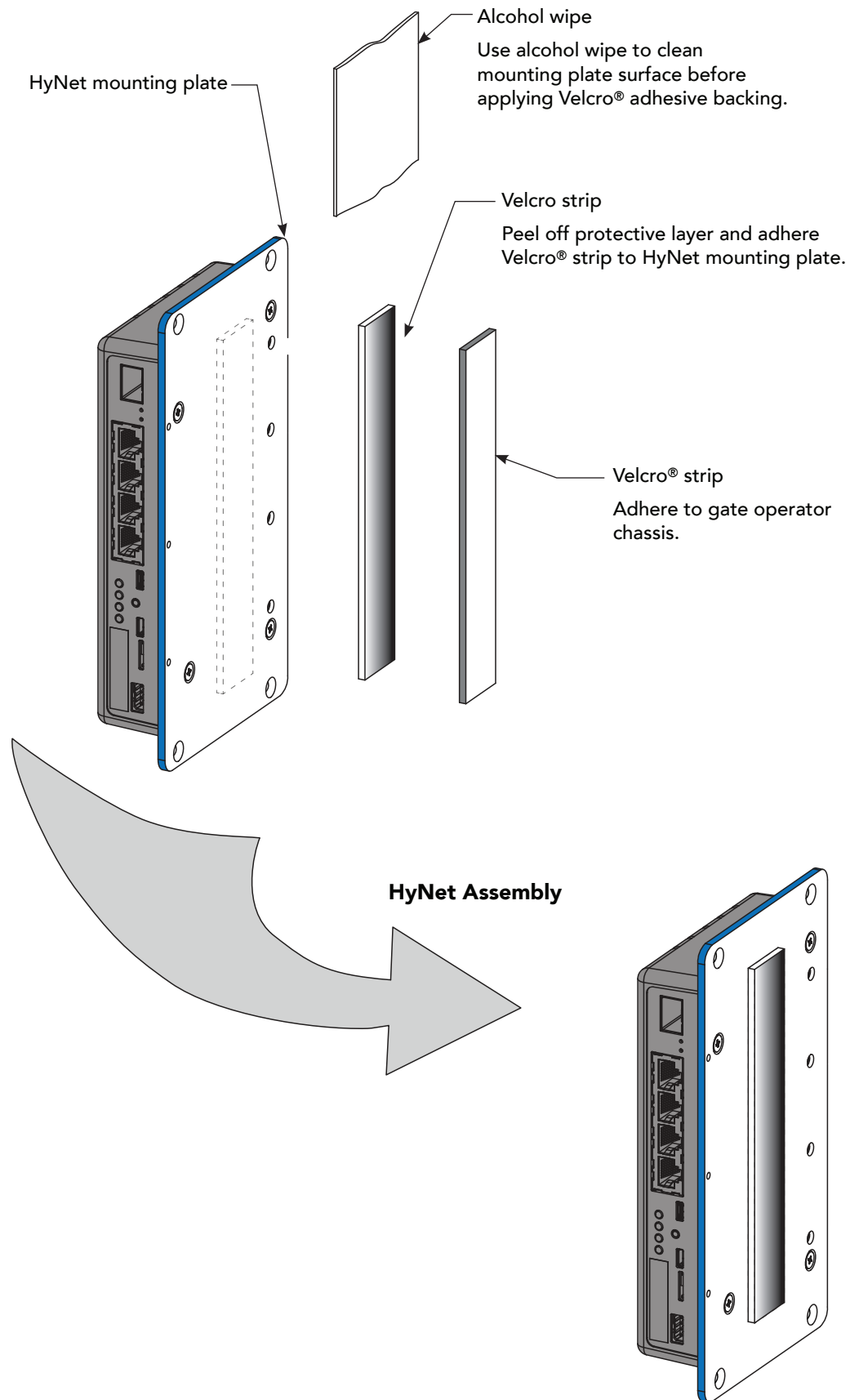


Table 1: HyNet LED Indicators

LED Position	LED Color	Indicates
1	RED flashing	No communication from gate operator to HyNet.
1	Green steady	Communication is established between gate operator and HyNet.
2	RED steady	Gate operator network communication is not configured or established.
2	RED flashing	HyNet is attempting to connect to network (web interface).
2	GREEN flashing	Network (web interface) is established and working. (May not be wholly configured, yet. Verify configuration with your IT administration.)
3	RED steady	Hardware fault.
3	RED flashing	Charge is low on coin battery. Replace coin battery.
3	GREEN steady	Hardware functioning and coin battery charged.
4	Red steady or no LED lit	HyNet internal switch is not functioning.
4	GREEN steady	HyNet internal switch is functioning.

Drawing is not to scale

StrongArmPark DC HyNet Assembly



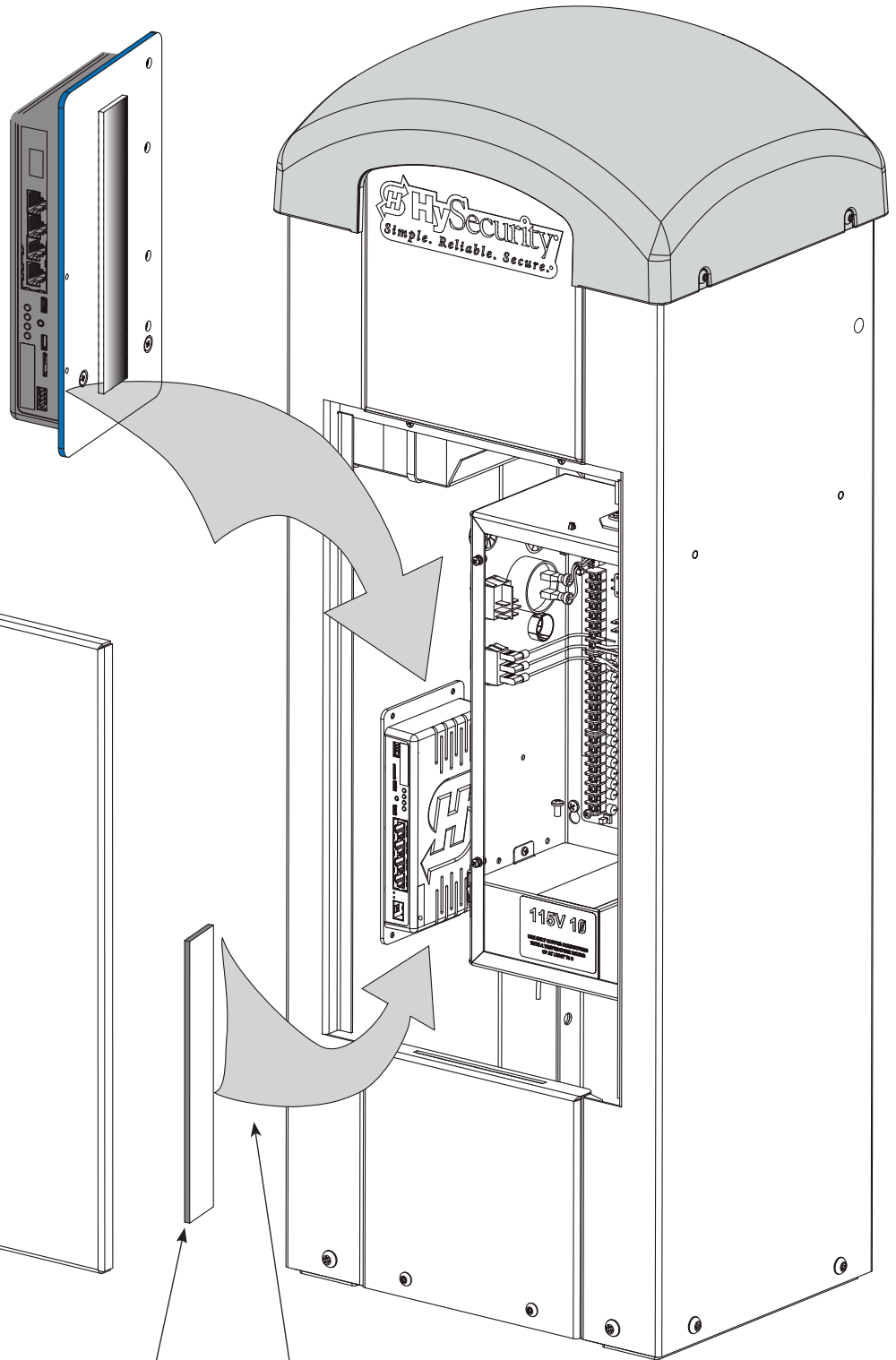
Mount HyNet to StrongArmPark DC and StrongArmPark DCS

Set the HyNet onto the chassis so the ports are accessible as shown in the illustration.

4

5 Connect wiring.
See page 5.

6 Replace and secure covers.



Remove front cover panel

1

Peel protective paper off Velcro® strip.

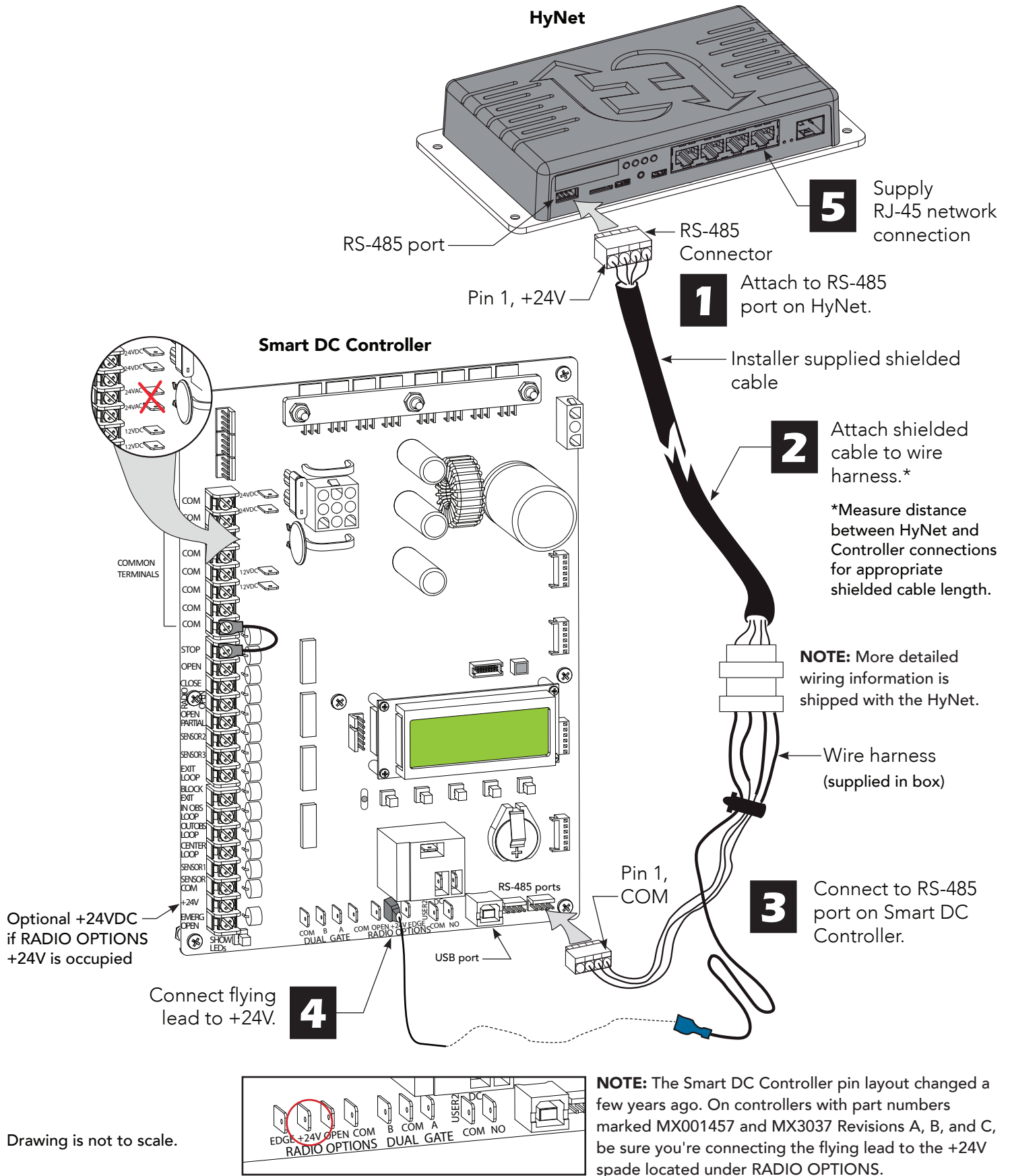
2

3

Adhere the Velcro® strip to the inside portion of the StrongArmPark DC chassis. Press firmly.

NOTE: Recommended HyNet location is shown in the illustration. Ambient temperature for adhesion is between 45° and 85° F.

Wiring the HyNet Gateway



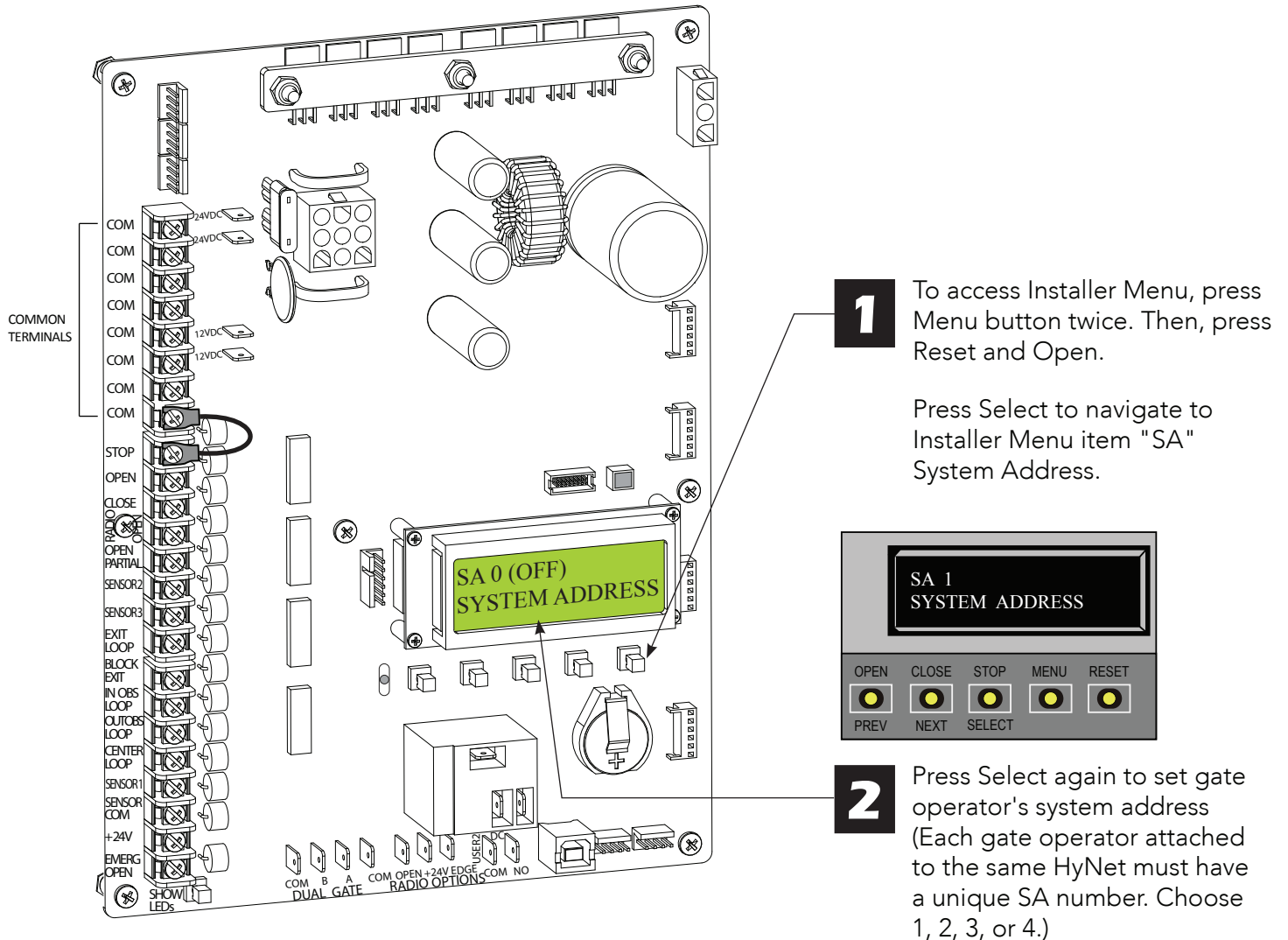
Smart DC Controller

HySecurity gate operators provide a 2-wire, serial interface (RS-485 connection) which allows remote access to one or more operators.

When the physical connection is made and protocols are established, an SA (System Address) must be assigned for each operator through its Installer Menu.

For network communication, choosing a "SA" of 1 to 4 establishes individual network polling addresses. HyNet only utilizes numbers 1, 2, 3, or 4.

A "SA" of zero means no network communication is desired.



1 To access Installer Menu, press Menu button twice. Then, press Reset and Open.

Press Select to navigate to Installer Menu item "SA" System Address.

2 Press Select again to set gate operator's system address (Each gate operator attached to the same HyNet must have a unique SA number. Choose 1, 2, 3, or 4.)

3 To exit Menu mode, press Menu. The gate operator returns to Run mode.

4 Refer to *Table 1: HyNet LED Indicators* on page 2. Solid green means serial communication is active and functioning well.

5 For IP network setup, refer to the HyNet Quick Start manual supplied in the HyNet box.

INSTALLER'S CHECKLIST

Date Installed: _____ Gate Operator Model: _____

Site Location: _____

HyNet Serial Number: _____

Gate Operator Serial Number: _____

Gate Operator Serial Number: _____

Gate Operator Serial Number: _____

Gate Operator Serial Number: _____

Customer Name: _____

Mailing Address: _____

Phone Contact: _____

Inspected by: _____

Date Inspected: _____

Phone contact number: _____

	Checked	Initials
1. Site Planning	<input type="checkbox"/>	_____
RJ-45 cable to system network.		
2. Safety	<input type="checkbox"/>	_____
Review <i>Important Safety Information</i> in the gate operator's product manual.		
Warning labels apparent and affixed properly.		
Area around the gate and gate operator free of debris, cabinets/chassis include locking mechanism.		
3. Electrical	<input type="checkbox"/>	_____
3.1 Grounding		
<ul style="list-style-type: none">NFPA 780 Standard for the Installation of Lightning Protection Systems.Solid copper ground rod (3/8-inch diameter, 10 ft length) driven into ground within 3 ft of the gate operator.Single length of unspliced 6AWG copper wire less than 3 ft long attached to lug nut in gate operator.		
3.2 Gate operator has current software loaded.		
3.3 Configure the Controller		
<ul style="list-style-type: none">Set the System Address (SA) in the Installer Menu.Communicate (verify) system address to IT Network Admin for proper web page configuration.		
4. Review gate operator installation checklist from gate operator manual	<input type="checkbox"/>	_____
5. Take photographs of installation and provide an End User Demo	<input type="checkbox"/>	_____

