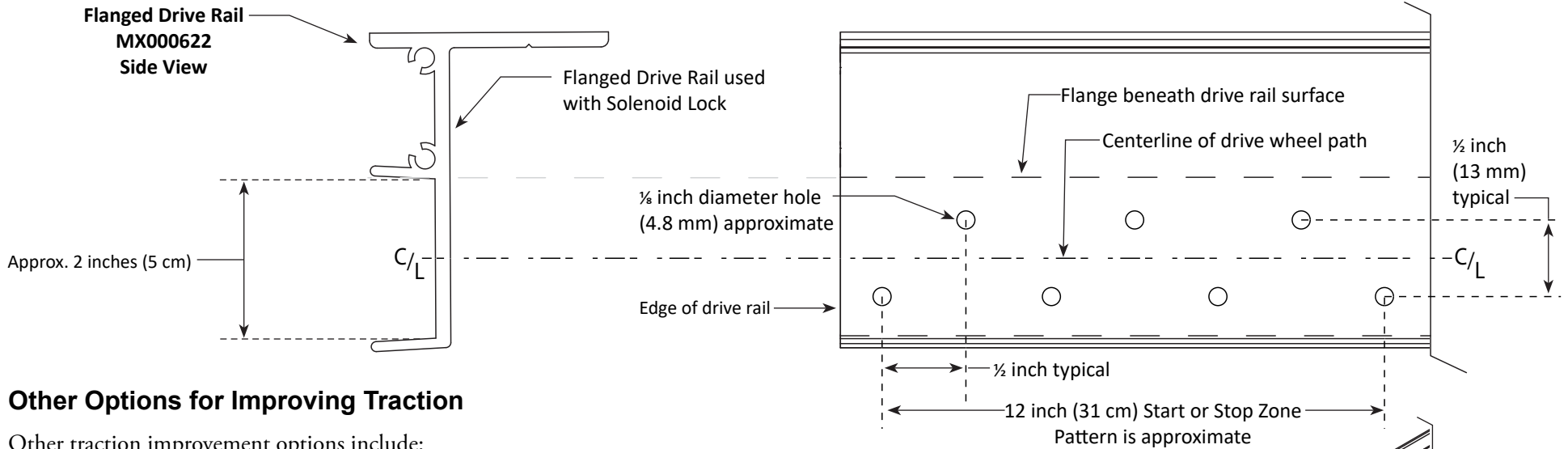


## Improve Traction for Flanged Drive Rail

To improve traction in wet or icy conditions, it may be useful to drill small holes through either end of the flanged drive rail as shown in the illustration.

HySecurity® ships grooved rails (no flange) as standard equipment which improves traction on current SlideDriver models. Operators manufactured prior to May, 2010 and any sites using solenoid locks, may prefer to use the modifications described below.



## Other Options for Improving Traction

Other traction improvement options include:

**Grooved Drive Rail:** In product testing, the pull power increased over 30% when the grooved drive rail was subjected to wet conditions. The grooved rail design is the same dimension as the flanged drive rail.

### Single piece grooved drive rail

MX3885, 14 ft length

### Bundles of 12 pieces

MX3886, 14 ft lengths

Continued.....

Drill holes in flanged drive rail

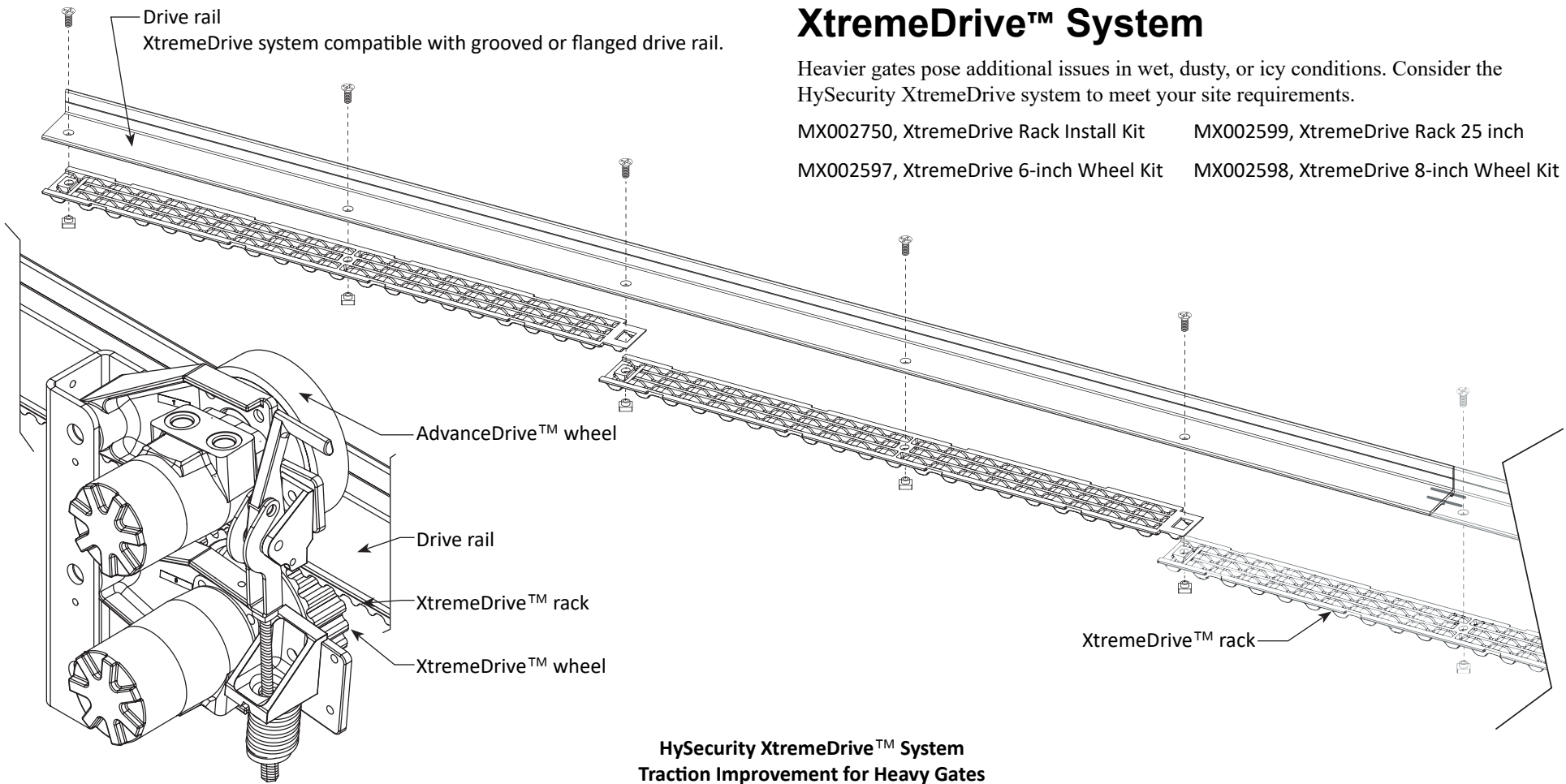
**Flanged Drive Rail**  
MX000622 (10 foot length)



# XtremeDrive™ System

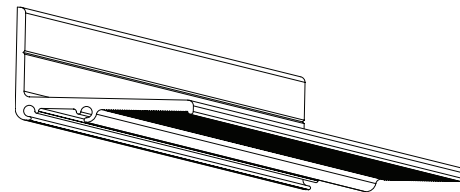
Heavier gates pose additional issues in wet, dusty, or icy conditions. Consider the HySecurity XtremeDrive system to meet your site requirements.

- MX002750, XtremeDrive Rack Install Kit
- MX002599, XtremeDrive Rack 25 inch
- MX002597, XtremeDrive 6-inch Wheel Kit
- MX002598, XtremeDrive 8-inch Wheel Kit

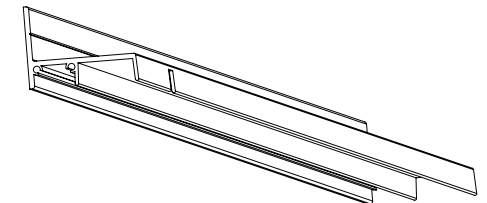


## Technical Support

For Technical Support, call us at (800) 878-7929. Please obtain the serial number of your operator before calling.



HySecurity Grooved Drive Rail



HySecurity Flanged Drive Rail