

SlideSmart™ CNX

CNX 15

Vehicular slide gate operator with SmartCNX™ Controller



TABLE OF CONTENTS


SlideSmart CNX 15

Table of Contents	2	Troubleshooting/Alerts/Faults/Errors ..	35-41
Safety Requirements.....	3-10	Appendix A - Vehicle Detector Loops.....	42
Features.....	11	Appendix B - French Translations.....	43-46
Unpack the Operator.....	12	Warranty	47
Operator Position	13	Specifications	48
Prepare an Installation Site	14-15		
Attach Back Cover.....	16		
Install Chain Kit.....	17		
Attach Target Magnet and Chain Cover....	18		
Wiring and Power	19-20		
Controller Connections	21		
User Interface	22		
Initial Setup.....	23		
Operator Configurations	24		
Bi-Parting Gate Setup.....	25		
Controller Inputs.....	26		
Set IES Sensitivity	27		
Entrapment Sensor Wiring - BlueBUS	28		
Entrapment Sensor Wiring	29		
List of Entrapment Sensors.....	30		
SmartCNX - Hy5B Module	31		
Relay Outputs - Basic	32		
Maintenance	33		
Firmware Updates and Debug Data.....	34		

SAFETY MESSAGES

The safety messages below inform you about potential hazards that can result in injury. Safety messages specifically address level of exposure to operator and are preceded by one of four words: **DANGER, WARNING, CAUTION** or **NOTICE**.

 DANGER
Indicates a hazardous situation which, if not avoided, WILL result in DEATH or SERIOUS INJURY .





 WARNING
Indicates a hazardous situation which, if not avoided, COULD result in DEATH or SERIOUS INJURY .

 CAUTION
Indicates a hazardous situation which, if not avoided, COULD result in MINOR or MODERATE INJURY .

NOTICE
Addresses practices not related to personal injury. Indicates damage to equipment is probable if the hazardous situation is not avoided.

COMMON INDUSTRIAL SYMBOLS

These international safety symbols may appear on product or in its literature to alert of potential personal injury hazards. Obey all safety messages that follow these symbols to avoid possible injury or death.

Symbol	Safety Hazard
	Attention - Take Notice
	Danger - Keep Away
	Entrapment Zone
	Possible Pinch Point

SAFETY REQUIREMENTS

IMPORTANT SAFETY INSTRUCTIONS

Hazards, associated with automatic gates, can be reduced with proper site design, installation, and use. Installers, maintenance crews, and owners/users must read and follow the safety requirements found in HySecurity® product manuals.



It is important that only qualified installers handle installation of HySecurity Gate vehicular gate operators. A "qualified" installer has one of the following:



1. A minimum of three years experience installing similar equipment.
2. Proof of attending a HySecurity Technical Training seminar within the past three years.
3. Significant manufacturer endorsements of technical aptitude in gate operator installation and operation.

Underwriter Laboratories (UL) and the American Society for Testing and Materials (ASTM) are responsible for current safety standards and regulations regarding gate operators and automated gates. All aspects of gate installation must comply with the appropriate safety standard. For the most up-to-date ASTM F2200 Gate and Fence Standards, refer to www.astm.org. For UL 325 Safety Standard, refer to www.ul.com. Consult local government agencies for up-to-date rules and regulations as certain municipalities have established licensing, codes or regulations that regulate automated gate system design and installation.

GENERAL SAFETY INFORMATION

A gate operator is only a component in a gate system. The other parts of the gate system can include the gate, the external safety sensors, access controls, and vehicle detectors. To have a gate system that provides for safety, security, and reliable operation it is essential these components operate together as a system. It is the responsibility of the system designer and/or installer to ensure any safety or operational issues have been addressed.

WARNING

To reduce the risk of injury or death:

1. READ AND FOLLOW ALL INSTRUCTIONS.
2. Never let children operate or play with gate controls. Keep the remote control away from children.
3. Always keep people and objects away from the gate. NO ONE SHOULD CROSS THE PATH OF THE MOVING GATE.
4. Test the gate operator monthly. The gate MUST reverse on contact with a rigid object or stop when an object activates the non-contact sensors. After adjusting the force or the limit of travel, retest the gate operator. Failure to adjust and retest the gate operator properly can increase the risk of injury or death.
5. Use the emergency release only when the gate is not moving.
6. KEEP GATES PROPERLY MAINTAINED. Read the user's manual. Have a qualified service person make repairs to gate hardware.
7. The entrance is for vehicles only. Pedestrians must use separate entrance.
8. SAVE THESE INSTRUCTIONS.

IDENTIFYING GATE OPERATOR CATEGORY AND UL 325 USAGE CLASS

The UL 325 standard covers gate operators. Within this safety standard several Usage Classes are described that define different types of installations where gate operators can be applied. Some operators are restricted in their usage application. Appropriate Usage Classes are shown in the Specifications.

Class I



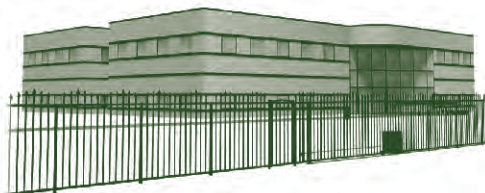
Class I: Intended for use in a location of one to four single family dwellings or a parking area associated with one to four single family dwellings.

Class II



Class II: Intended for use in a commercial location or building such as a multi-family housing units (five or more single family units) hotels, garages, retail stores or other buildings servicing general public.

Class III



Class III: Intended for use in an industrial location or building such as factories or loading docks or other locations not accessible by the general public.

Class IV



Class IV: Intended for use in guarded industrial locations or buildings such as an airport security area or other restricted access location, not servicing general public, in which access is monitored by security personnel or via closed circuitry.

SAFETY REQUIREMENTS

VEHICULAR TRAFFIC ONLY

WARNING

This automatic gate operator is not designed nor is it intended for pedestrian traffic. Vehicular gate operators must by their nature be powerful to function reliably. This power can cause injury or death. Accordingly, direct all pedestrian traffic to a separate walk-through gate.

Install this gate operator only when:

- The operator is appropriate for the construction of the gate and the usage Class of the gate.
- All openings of a horizontal slide gate are guarded or screened from the bottom of the gate to a minimum of 1.83 m (6 ft) above the ground to prevent a 57.2 mm (2-1/4 in) diameter sphere from passing through the openings anywhere in the gate, and in that portion of the adjacent fence that the gate covers in the open position.
- All exposed pinch points are eliminated or guarded.
- Guarding is supplied for exposed rollers.

The operator is intended for installation only on gates used for vehicles. Pedestrians must be supplied with a separate access opening. The pedestrian access opening shall be designed to promote pedestrian usage. Locate the gate such that persons will not come in contact with the vehicular gate during the entire path of travel of the vehicular gate.

The gate must be installed in a location so that enough clearance is supplied between the gate and adjacent structures when opening and closing to reduce the risk of entrapment. Swinging gates shall not open into public access areas.

The gate must be properly installed and work freely in both directions prior to the installation of the gate operator. Do not over-tighten the operator clutch or pressure relief valve to compensate for an improperly installed, improperly functioning, or damaged gate.

Permanently mounted controls intended for user activation must be located at least 1.83 m (6 ft) away from any moving part of the gate and where the user is prevented from reaching over, under, around or through the gate to operate the controls.

- Exception: Emergency access controls only accessible by authorized personnel (e.g. fire, police, EMS) may be placed at any location in the line-of-sight of the gate.

The Stop and/or Reset button must be located in the line-of-sight of the gate. Activation of the reset control shall not cause the operator to start.

A minimum of two (2) WARNING SIGNS shall be installed, in the area of the gate. Each placard is to be visible by persons located on the side of the gate on which the placard is installed.

For gate operators utilizing a non-contact sensor (Photo Eye):

- See instructions on the placement of non-contact sensors for each type of application.
- Care shall be exercised to reduce the risk of nuisance tripping, such as when a vehicle trips the sensor while the gate is still moving.
- One or more non-contact sensors shall be located where the risk of entrapment or obstruction exists, such as the perimeter reachable by a moving gate or barrier.

For a gate operator utilizing a contact sensor (Edge):

- One or more contact sensors shall be located where the risk of entrapment or obstruction exists, such as at the leading edge, trailing edge, and postmounted both inside and outside of a vehicular horizontal slide gate.
- A hardwired contact sensor shall be located and its wiring arranged so that the communication between the sensor and the gate operator is not subjected to mechanical damage.
- A wireless device such as one that transmits radio frequency (RF) signals to the gate operator for entrapment protection functions shall be located where the transmission of the signals are not obstructed or impeded by building structures, natural landscaping or similar obstruction. A wireless device shall function under the intended end-use conditions.
- One or more contact sensors shall be located on the inside and outside leading edge of a swing gate. Additionally, if the bottom edge of a swing gate is greater than 152 mm (6 in) but less than 406 mm (16 in) above the ground at any point in its arc of travel, one or more contact sensors shall be located on the bottom edge.

USE OF VEHICLE DETECTORS

Use of vehicle detectors (loop detectors) is strongly encouraged to prevent damage to vehicles caused by gates closing on them. This is not considered to be a safety item as vehicle detectors cannot provide protection to pedestrians. In some situations, photoelectric devices may be used as vehicle detectors, but should be wired accordingly.

GATE CONSTRUCTION AND SAFETY

Gate construction plays a very important role in ensuring the safety of any automated gate system. The standard for gate construction is ASTM F2200. Below are key areas to address in gate design for safety. For complete information consult the standard. Copies of the standard are available at:

<https://www.astm.org/Standards/F2200.htm>.

Another source of information is available from DASMA, the Door and Access System Manufacturer's Association. The Association publishes Technical Data Sheets, one of which concerns ASTM F2200. For more information, see:

<http://www.dasma.com/PDF/Publications/TechDataSheets/OperatorElectronics/TDS370.pdf>.

General Requirements for gate construction:

- Gates shall be constructed in accordance with the provisions given for the appropriate gate type listed. Refer to ASTM F2200 for additional gate types.
- Gates shall be designed, constructed and installed to not fall over more than 45 degrees from the vertical plane, when a gate is detached from the supporting hardware.
- Gates shall have smooth bottom edges, with vertical bottom edged protrusions not exceeding 0.50 in (12.7 mm) other than the Exceptions listed ASTM F2200.
- The minimum height for barbed wire shall not be less than 6 ft (1.83 m) above grade. The minimum height for barbed tape shall not be less than 8 ft (2.44 m) above grade.
- An existing gate latch shall be disabled when a manually operated gate is retrofitted with a powered gate operator.
- A gate latch shall not be installed on an automatically operated gate.
- Protrusions shall not be permitted on any gate. Consult ASTM F2200 for exceptions.
- Gates shall be designed, constructed and installed such that their movement shall not be initiated by gravity when an automatic operator is disconnected.
- For pedestrian access in the vicinity of an automated vehicular gate, a separate pedestrian gate shall be provided. The pedestrian gate shall be installed in a location such that a pedestrian shall not come in contact with a moving vehicular access gate. A pedestrian gate shall not be incorporated into an automated vehicular gate panel.
- Any non-automated gate that is to be automated shall be upgraded to conform to the provisions of this specification.
- This specification shall not apply to gates generally used for pedestrian access and to vehicular gates not to be automated.
- Any existing automated gate, when the operator requires replacement, shall be upgraded to conform to the provisions of this specification in effect at that time.

The following provisions shall apply to Class I, Class II, Class III, and Class IV vehicular horizontal slide gates:

All weight bearing exposed rollers 8 ft (2.44 m), or less, above grade shall be guarded or covered.

All openings shall be designed, guarded, or screened from the bottom of the gate to the top of the gate or a minimum of 72 inch (1.83 m) above grade, whichever is less, to prevent a 2-1/4 inch (57 mm) diameter sphere from passing through the openings anywhere in the gate, and in that portion of the adjacent fence that the gate covers in the open position. The gate panel shall include the entire section of the moving gate, including any back frame or counterbalance portion of the gate.

A gap, measured in the horizontal plane parallel to the roadway, between a fixed stationary object nearest the roadway (such as a gate support post) and the gate frame when the gate is in either the fully open position or the fully closed position, shall not exceed 2-1/4 inches (57 mm).

- Exception: All other fixed stationary objects greater than 16 inches (406 mm) from the gate frame shall not be required to comply with this section.

Positive stops shall be required to limit travel to the designed fully open and fully closed positions. These stops shall be installed at either the top of the gate, or at the bottom of the gate where such stops shall horizontally or vertically project no more than is required to perform their intended function.

All gates shall be designed with sufficient lateral stability to assure that the gate will enter a receiver guide. Consult ASTM F2200 for details on various gate panel types.

SAFETY REQUIREMENTS

MAINTENANCE OF GATE SYSTEMS

To keep your automated gate system performing both safely and reliably it is important to ensure that the components of that system are functioning properly.

At least monthly:

- Disconnect the gate operator and manually move the gate through its range of travel. Note any squeaks from rollers or hinges or areas of binding. The gate should travel smoothly and quietly throughout its range. If it does not, contact a gate professional to correct the problem.
- Reconnect the gate operator and perform the following tests:
 - With the gate opening, block any photo eyes and/or depress any safety edges used to protect the open direction. The gate should stop and/or reverse.
 - With the gate closing, block any photo eyes and/or depress any safety edges used to protect the close direction. The gate should stop and/or reverse.
 - Using a suitable obstruction in the path of the gate (a solid, immovable object), run the gate in the open direction until it contacts the obstruction. The gate should stop and reverse.
 - Using a suitable obstruction in the path of the gate (a solid, immovable object), run the gate in the close direction until it contacts the obstruction. The gate should stop and reverse.

ENTRAPMENT PROTECTION

The UL 325 standard for gate operators requires a minimum of two independent entrapment protection means for each entrapment zone.

An entrapment zone is defined as follows:

For slide gates, any locations between a moving gate and a counter opposing edge or surface where entrapment is possible up to a height of 6 ft (1.83 m) above grade. Such locations occur if at any point in travel the gap between a moving gate and the fixed counter opposing edges or surfaces is less than 16 inches (406 mm).

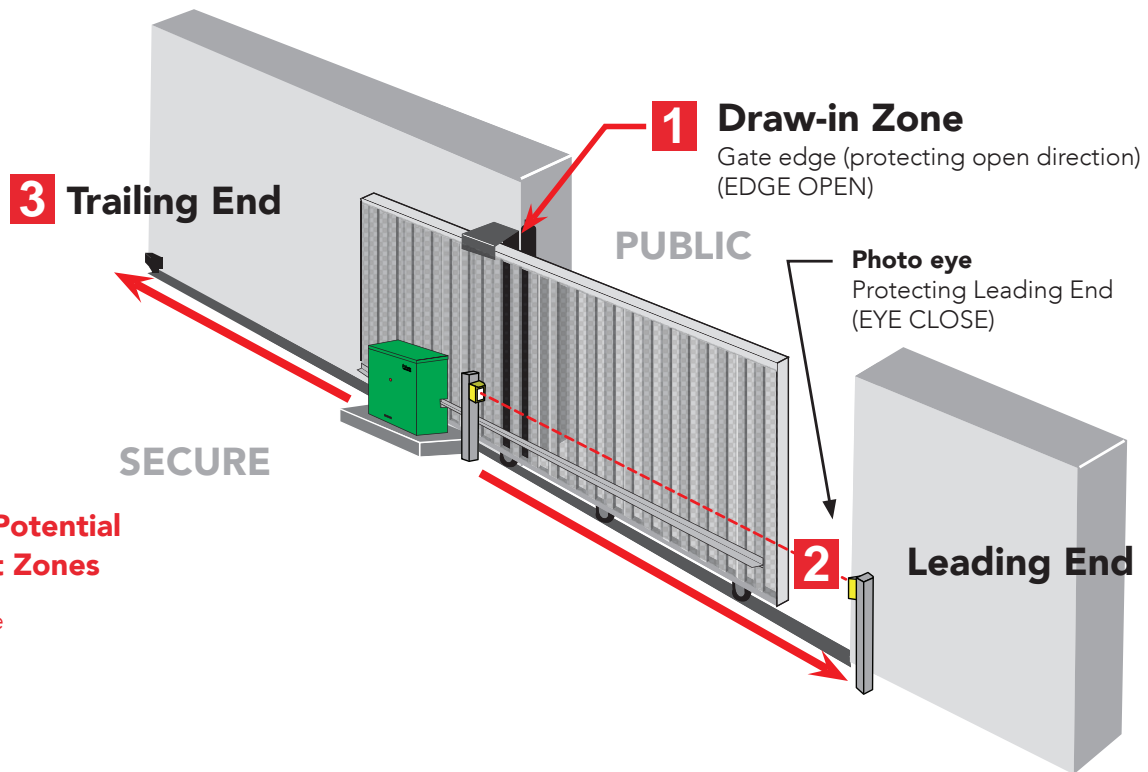
All Nice HySecurity gate operators feature an Inherent Entrapment System (IES) (UL 325 Type A) that monitors the force on the gate during travel. This system protects in both the open and close direction and reverses on contact with an obstruction. The IES serves as one of the means of entrapment protection.

Potential entrapment zones are shown on the next page for slide gates, but keep in mind there may be other entrapment zones presented by the actual installation and adjacent structures or landscape that must be protected as well. External sensors must be used to protect against entrapment at each location where an entrapment zone exists. The minimum number of external sensors required to enable automatic operation of the gate operator is as follows:

- Slide Gates: One external sensor in the Open direction and one external sensor in the Close direction.

The gate operator tests for the presence of these sensors, and if the required minimum number is not found, the operator will only run using continuous pressure on an Open/Close button, either on the controller, or an external device.

Installers must identify all potential entrapment zones and install sensors that protect these areas.



Slide Gate Potential Entrapment Zones

- 1. Draw-in zone
- 2. Leading end
- 3. Trailing end

SAFETY REQUIREMENTS

STOP BUTTON

The stop button clears entrapment mode and resets some faults, errors, and alarms.

The stop button on SmartCNX operators is located on the cover.

Press the stop button while the gate is opening or closing to stop gate travel and disable the automatic close timer. The operator requires a new open or close command to resume function.

Inform all users of the location of the stop button and its function.

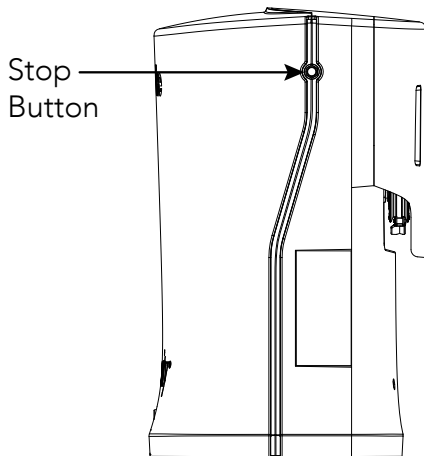


Figure 1. Stop Button

EMERGENCY RELEASE

Teach all users how to turn off electric power, loosen the taper clamp and backdrive the operator.

To manually release the gate:

1. Remove the front cover.
2. Set DC power to OFF to disengage the motor.

Note: With DC switch OFF and AC switch ON, the software will monitor gate position during backdrive.

3. Manually push the gate open or close.

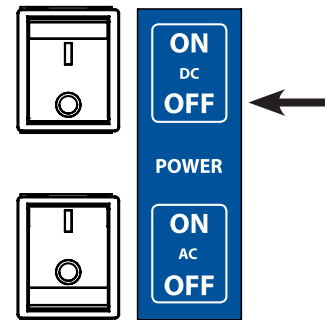


Figure 2. DC Switch Set to OFF

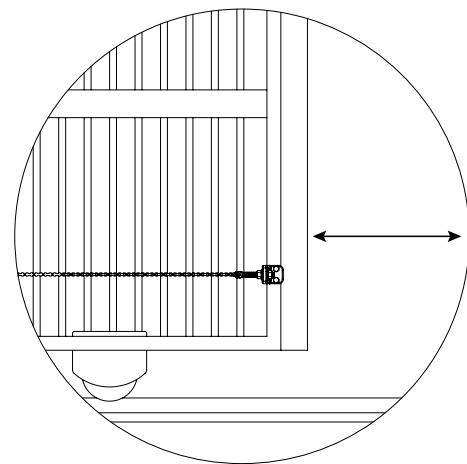


Figure 3. Slide the Gate Manually

To return SlideSmart to automatic operation, follow these steps:

1. Set the DC power switch to ON.
2. Press STOP or RESET to clear any faults.
3. Attach the front cover.

Note: If both DC and AC switches are OFF, the operator will search for the target magnet to establish limits upon power up. If the target magnet is not recognized, the operator will enter Learn Limits mode.

INTELLIGENT FEATURES: SmartCNX™ Controller

SmartCNX installer smartphone app for full control from your phone. Save operator configurations and troubleshoot system via smartphone app or USB.

User Interface - The SmartCNX controller manages 70+ configurable items in a simple menu driven interface. The controller includes a library of dozens of solutions for relay logic applications.

Three configurable user relays plus optional SmartCNX I/O Expansion module for 8 additional relay outputs

OLED display - A 32-character OLED provides increased readability for programming and troubleshooting.

Independent adjustment for open and close gate speeds - An easy-to-use menu on the SmartCNX Controller allows the installer to independently vary the open and close speed settings.

Intelligent Inherent Entrapment Sensor (IES) - Any impediment to gate travel is sensed by the system, stopping gate movement per UL 325 Safety Standards. The intelligent system monitors gate power then adapts the IES to trip at an adjustable threshold above normal power.

Hy5B™ 2.0 vehicle detector with automatic sensitivity adjustment, advanced tailgating detection, and loop health scoring.

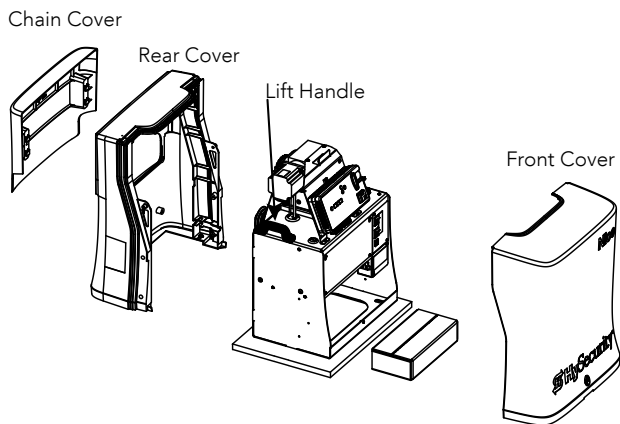
Integrated HyNet™ technology provides remote management capabilities over Ethernet: Securely report gate system status, vehicle tailgating, gate hits, failure to operate, and more, in real time to maintain perimeter security. Additionally, configure email alerts to communicate issues to installer, facility or security responders.

Compatible with Nice accessories. OXI receiver, ERA and INTI transmitters and BlueBUS photo eyes.

UNPACK THE OPERATOR

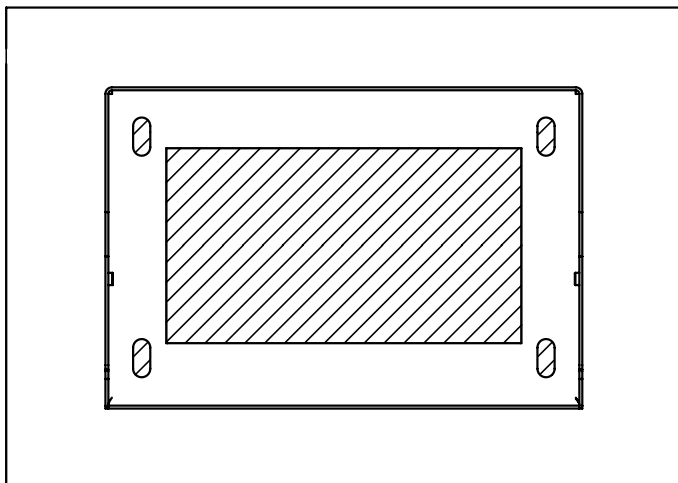
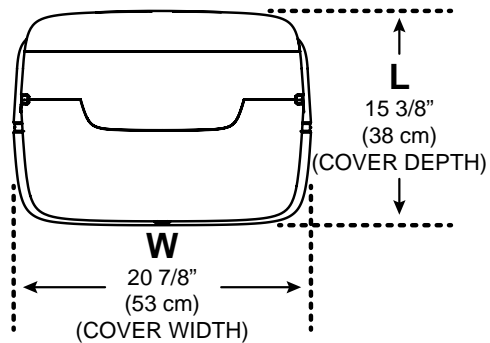
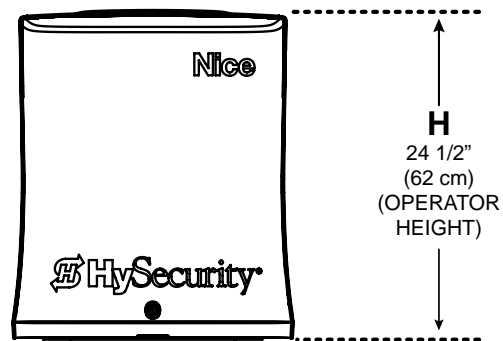
UNPACK THE OPERATOR

1. Open the box and remove the front cover, chain cover, rear cover, edge sensor, photo eye, chain hardware kit, and ship with kit.
2. Check the contents of the ship with kit:
 - a. Basic Manual
 - b. UL 325 required gate safety signs and zip ties
 - c. DASMA gate safety literature
 - d. Rear cover mounting hardware
 - e. Cover keys
 - f. Chain cover lock pin
 - g. Optional 208/230VAC and 24VDC voltage labels
3. Lift the chassis using the lift handles.



Note: You can mark the slots and conduit area on the plywood underneath the chassis and then use the plywood as an anchor hole template.

GENERAL OPERATOR DIMENSIONS



NEW INSTALLATION

1. Make sure the pad is completely level before installation.
2. Determine the location of the operator from the gate (Figure 4).
3. Refer to Figure 4 for minimum dimensions for a new concrete pad. Refer to Figure 6 for conduit and earth ground requirements.
4. Mark the anchor hole positions on the concrete pad (Figure 4).
5. Remove the operator and drill holes for four 1/2 inch UNC x 3-1/2 inch wedge style anchors.
6. Install the anchor bolts, mount the operator on the bolts, put a heavy duty flat washer on each bolt, and tighten the anchor-bolt nuts.
7. Bury the earth ground rod and connect earth ground wire to the chassis ground lug.

RETROFIT INSTALLATION

1. Remove any existing operator and anchor bolts.
2. Check the level of the concrete pad and level it if needed.
3. Position the new SlideSmart CNX operator around the conduit.
4. Mark the new anchor locations (Figure 4).
5. Remove the operator and drill holes for four 1/2 inch UNC x 3-1/2 inch wedge style anchors.
6. Install the anchor bolts, mount the operator on the bolts, put a heavy duty flat washer on each bolt, and tighten the anchor-bolt nuts.
7. Route the earth ground wire and connect it to the earth ground lug.

PREPARE AN INSTALLATION SITE

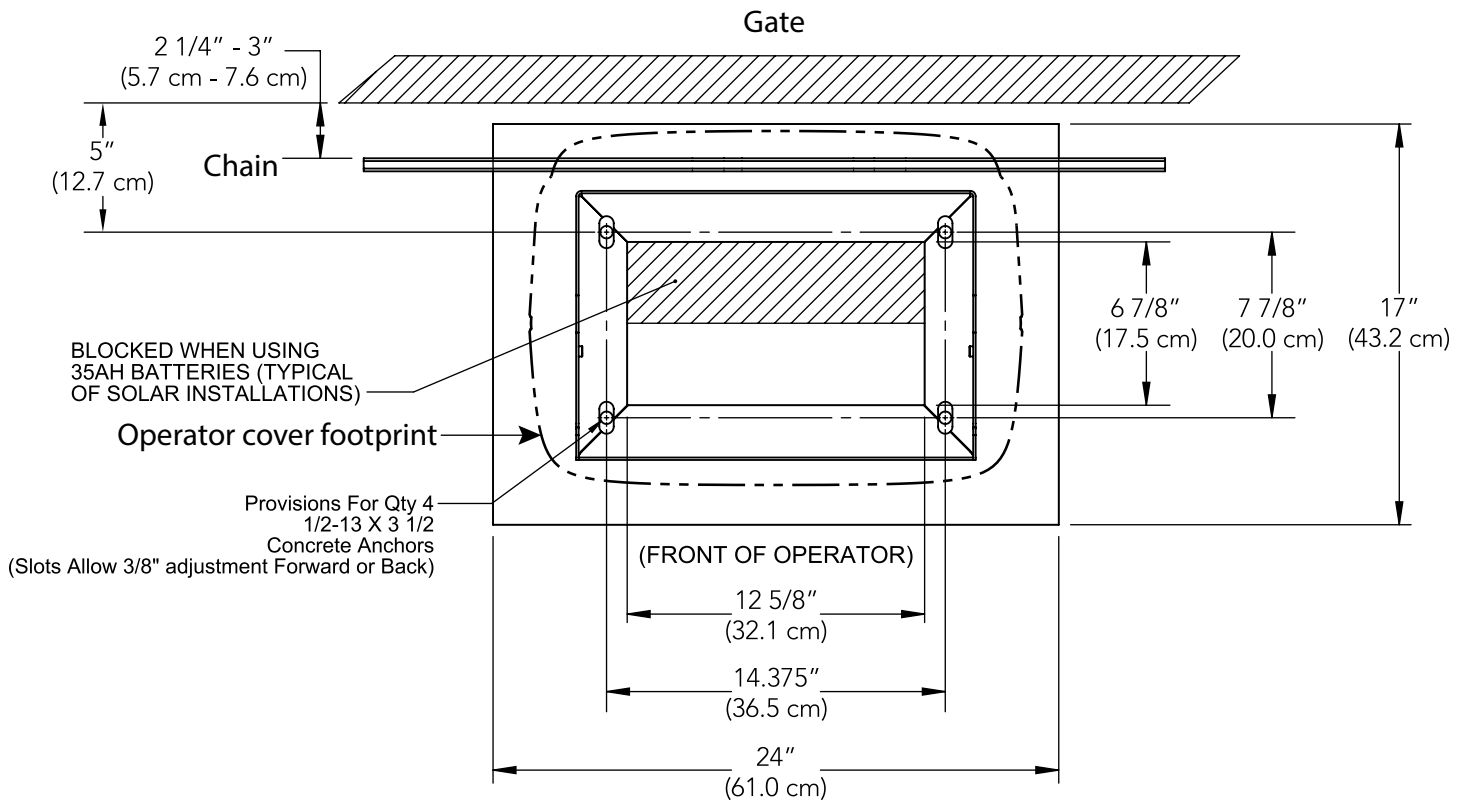


Figure 4. Concrete Pad, Anchor Hole, and Conduit Dimensions

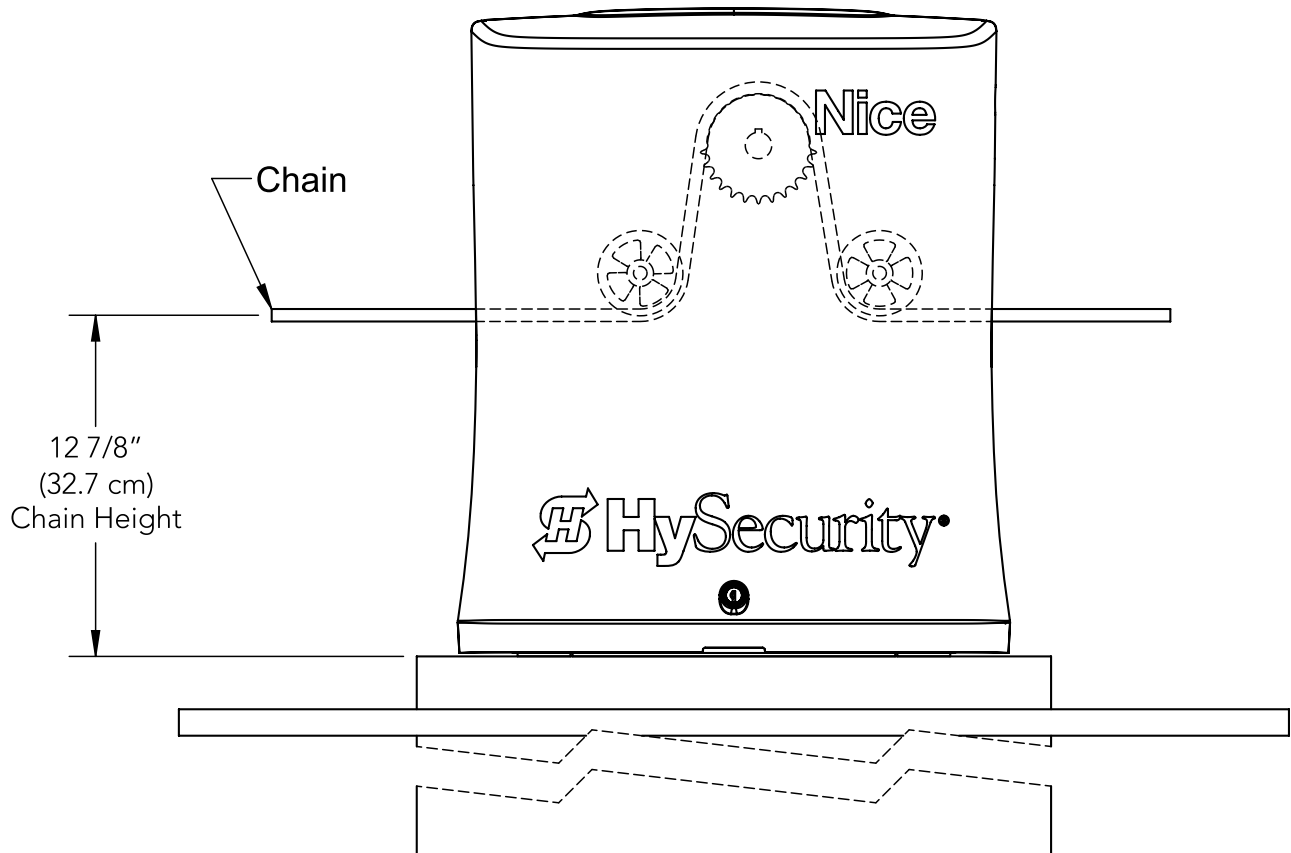


Figure 5. Front Installation Chain Height

PREPARE AN INSTALLATION SITE

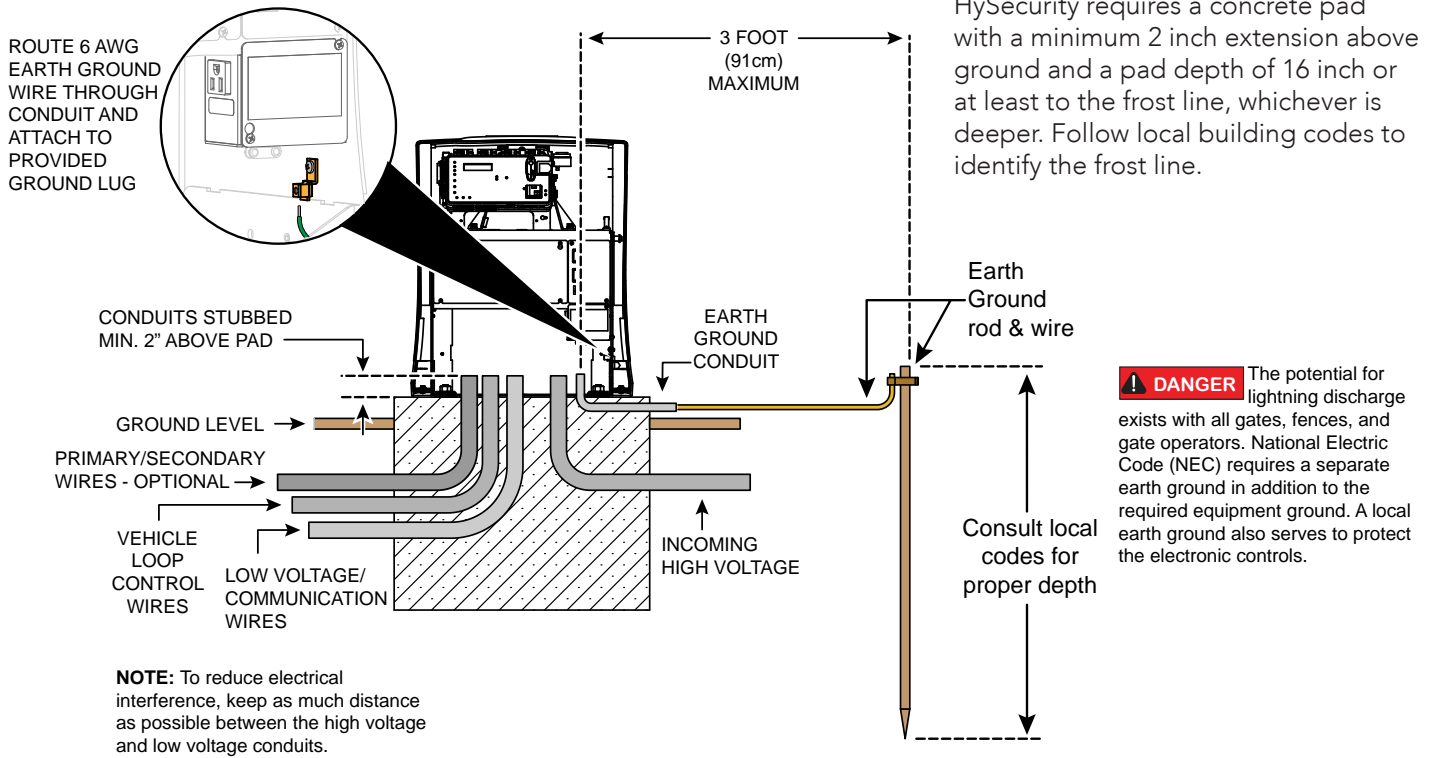


Figure 6. Conduits and Earth Ground

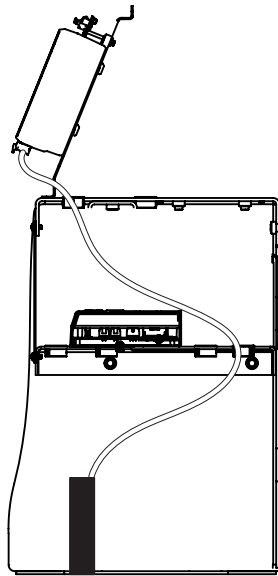


Figure 7. Preferred Control Wire Routing to SmartCNX Controller

ATTACH BACK COVER

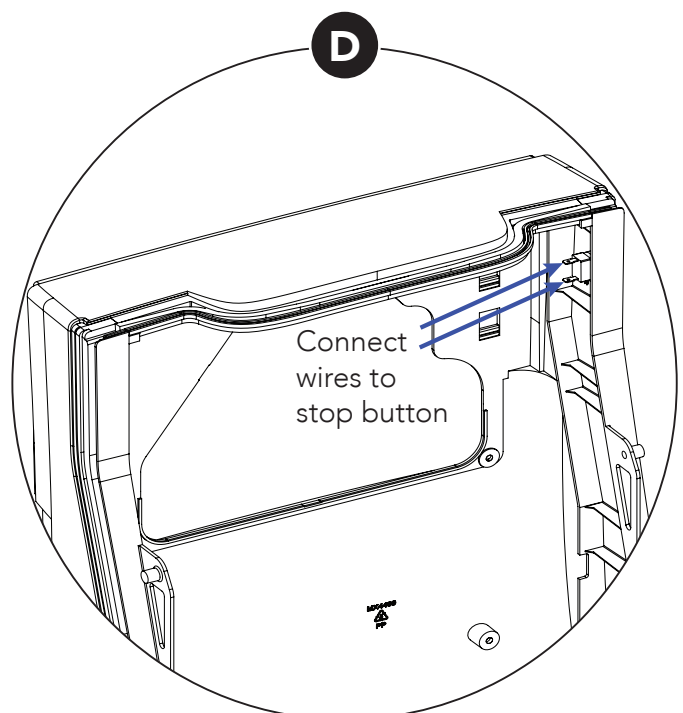
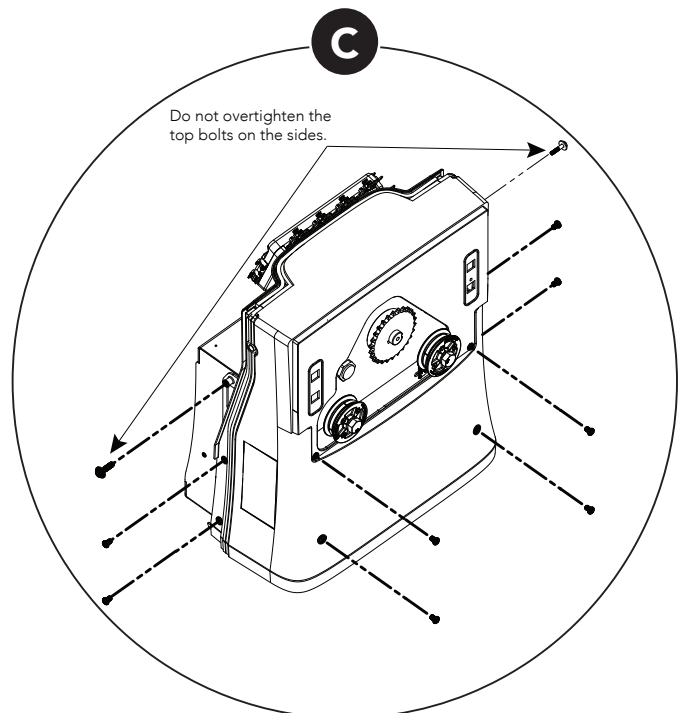
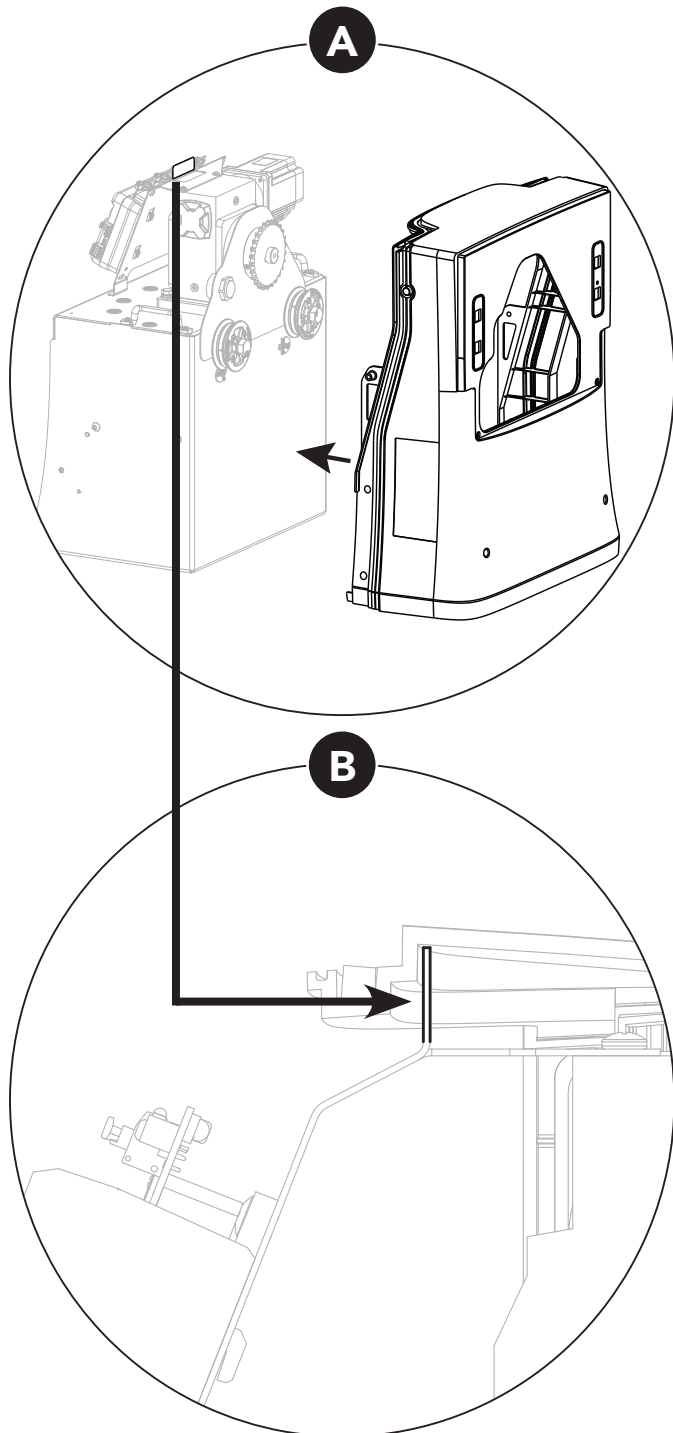
Attach the back cover before you install the chain.

1. If 208V/230V AC incoming power is used, set the voltage switch on the power supply to the correct setting with a flathead screwdriver before you attach the back cover. Refer to page 20 for more information.

2. Set the back cover on the chassis (A).

Note: Make sure that the vertical tab on the controller mounting bracket is behind the gasket groove in the back cover (B).

3. Tighten the back cover bolts to snug, sides first, and then the back (C).
4. Connect wires to stop button (D).



INSTALL CHAIN KIT

1. Set the AC and DC switches to OFF before you install the chain kit.
2. Install the back cover before you install the chain kit, page 16.
3. Secure the gate so that it does not move.
4. Position the gate brackets with the center of the chain hole at 12-7/8 inch height from the bottom of the operator.
5. Mark the hole positions, drill holes through the gate, put bolts through the holes, and fasten the bolts in place.
6. Alternatively, weld the gate brackets in place (Figure 8 and Figure 9).
7. Attach a tension bolt to each gate bracket (Figure 10).
8. Route the chain through the idlers and sprocket (Figure 11).
9. Connect chain ends to tension bolts with connector link.
10. Check the length of the chain. Add or remove chain links to make sure chain is within adjustment.
11. Adjust the bracket eye bolts to reduce sag in the chain to less than 3 inches.
12. Chain must be parallel to ground and gate (Figure 9, Figure 12, Figure 13).

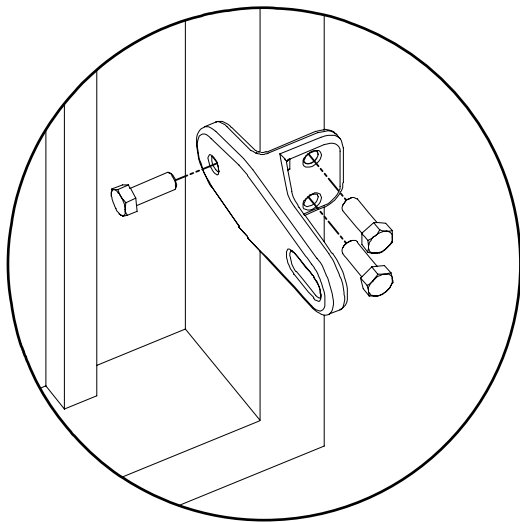


Figure 8. Attach Gate Bracket

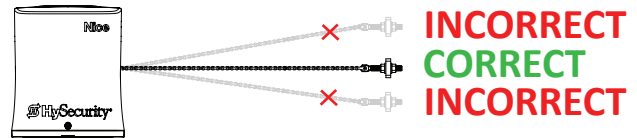


Figure 9. Correct Bracket Height

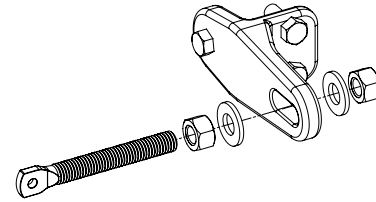


Figure 10. Attach Tension Bolt

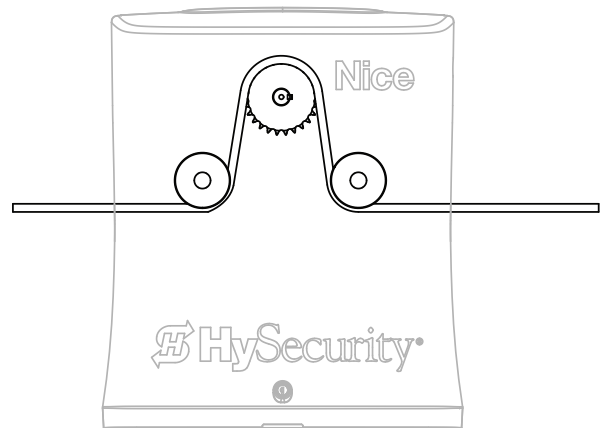


Figure 11. Front Installation Chain Route

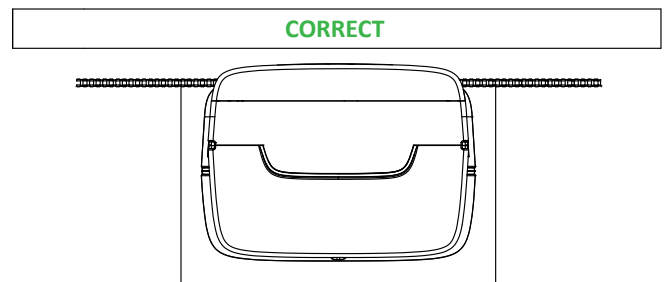


Figure 12. Correct Distance to Gate

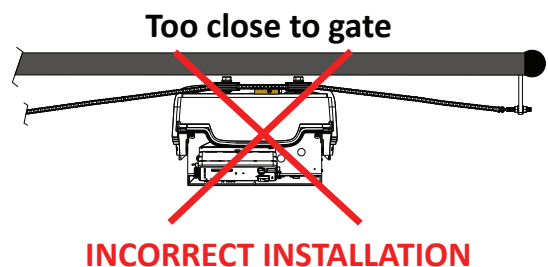


Figure 13. Incorrect Distance to Gate

ATTACH TARGET MAGNET AND CHAIN COVER

The SlideSmart CNX requires one target magnet as a "home position" for the software's gate position monitoring. Two limit sensors are provided, but only one is used depending on operator handing.

1. Set the AC and DC switches to OFF.
2. Push the gate to the full CLOSED position.
3. Attach the target magnet to a fixed link between the sprocket and the idler furthest from the gate opening. Point the magnet towards the operator.

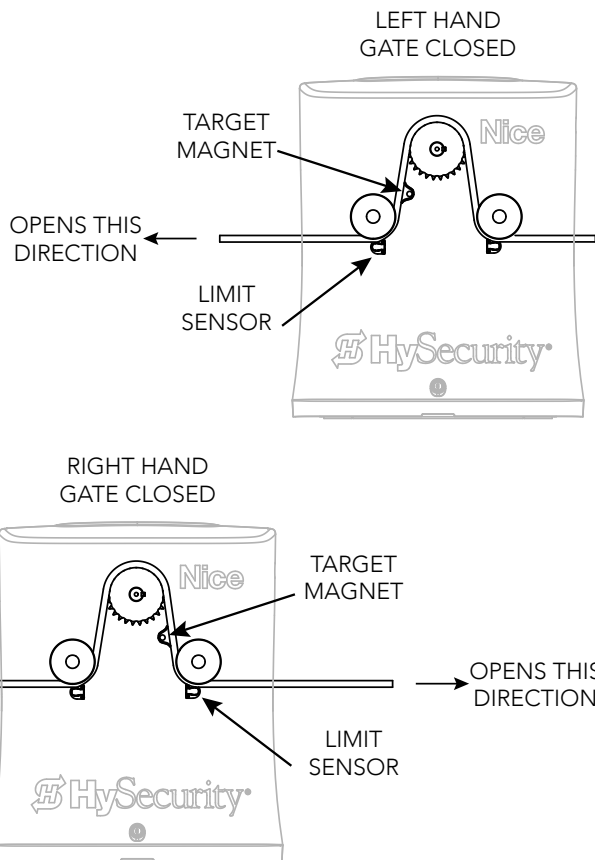


Figure 14. Limit Sensor and Target Magnet Position

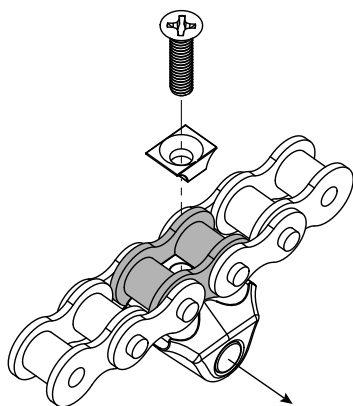


Figure 15. Target Magnet Toward Operator Attached to a Fixed Link

1. Align the chain cover tabs to the rear cover slots and then push down to snap it in place.

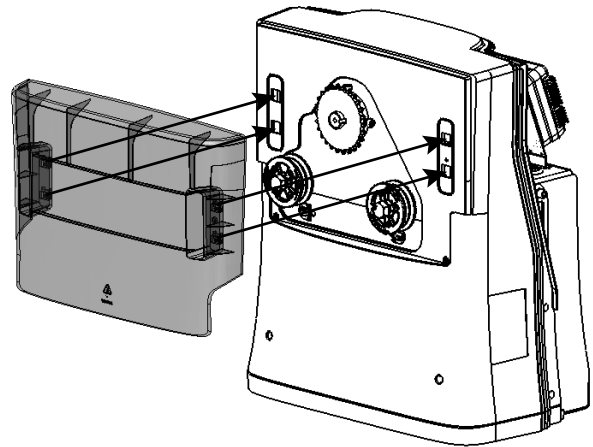


Figure 16. Attach Chain Cover

2. For additional safety, install the lock pin to prevent easy removal of the chain cover.

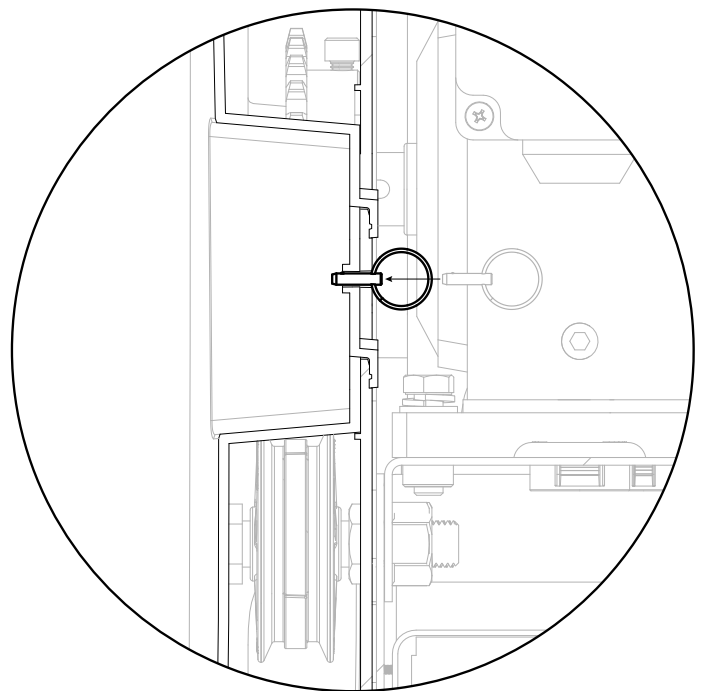


Figure 17. Install Spring Pin

Wiring 115VAC or 208/230VAC Power

- Verify AC power supply wires and low voltage accessory wires run through separate conduits. The input voltage to the AC power supply may cause interference and anomalies in SmartCNX operation if the high voltage wires are routed through the same conduit as the low voltage wires.
- Maximum gate operator current draw is 7.5 Amps on a dedicated 115VAC circuit (20A dedicated circuit is recommended).
- Maximum gate operator current draw is 4 Amps on a dedicated 208/230VAC circuit (20A dedicated circuit is recommended).
- Make sure proper wire gauge is used for the length of the wire run. The following tables show the maximum allowable wire run from the power source to the operator for various wire sizes.

Operators are factory set for incoming power of 115VAC. If 208/230VAC, change the voltage switch on the power supply to 230VAC with a flathead screwdriver (Figure 18 and Figure 19).

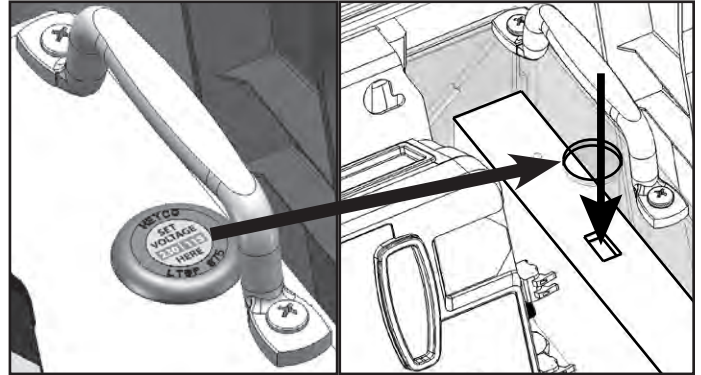


Figure 18. Voltage Switch Access



Figure 19. Voltage Switch Positions

Table 1. Wire Gauge versus Run

AC Power	14 gauge wire	12 gauge wire	10 gauge wire
One operator 115V	485 ft (147 m)	775 ft (236 m)	1235 ft (376 m)
Two operators 115V	242 ft (73 m)	387 ft (117 m)	617 ft (188 m)

Table 2. Wire Gauge versus Run

AC Power	14 gauge wire	12 gauge wire	10 gauge wire
One operator 208/230V	1375 ft (419 m)	2185 ft (665 m)	3475 ft (1059 m)
Two operators 208/230V	687 ft (209 m)	1092 ft (332 m)	1737 ft (529 m)

NOTICE

Table 1 and Table 2 assume a dedicated circuit with an accessory power load up to 2A. Additional loads require that the wire size be increased or the distance of the run be decreased.

WIRING AND POWER

! DANGER

Turn off AC power at the source (circuit breaker panel) before accessing the wires in the CNX junction box. Follow facility Lock Out/Tag Out procedures.

1. Make sure both the DC and AC power switches are in the OFF position.
2. Connect the battery harness to the back right hand corner of the drive module. (Figure 20)
3. Remove the junction box cover. (Figure 21)
4. Connect the incoming power supply wires to the AC or DC (solar) terminal block inside the junction box. Match the wire colors. (Figure 22)
5. Organize all the wire connections and put the cover onto the junction box.

Note: For 208V/230V or solar (24V) installations, place the label (included in the ship with kit) over the factory default 115V 1Ø label.

6. For solar installations, remove the power switch mounting plate and disconnect the DC wires from the power supply. Tape or wire nut the ends separately to prevent shorts (Figure 23).

Note: CNX operators require 24VDC rated solar panels with a maximum open circuit voltage of 48VDC.

7. Set both AC and DC power switches to ON (Figure 24).
8. Software version will appear on LCD display and then the Setup Menu.

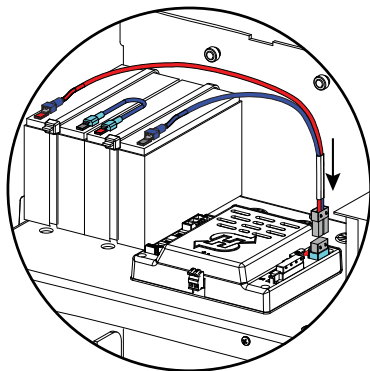
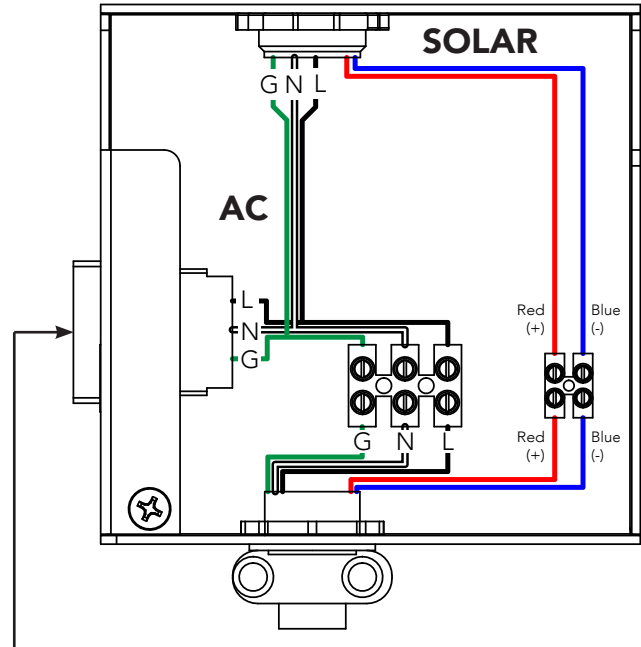


Figure 20. Battery Harness to Drive Module



Figure 21. Junction Box Cover



Connect service outlet lead wires to 115VAC only.

Figure 22. 115VAC/230VAC and Solar DC Terminals

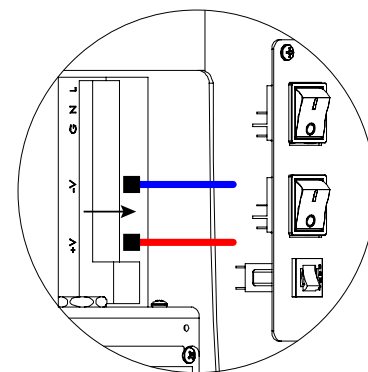


Figure 23. Disconnect DC Power Supply Wires

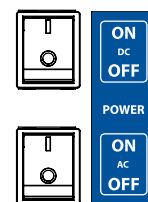


Figure 24. Set Both Power Switches to ON

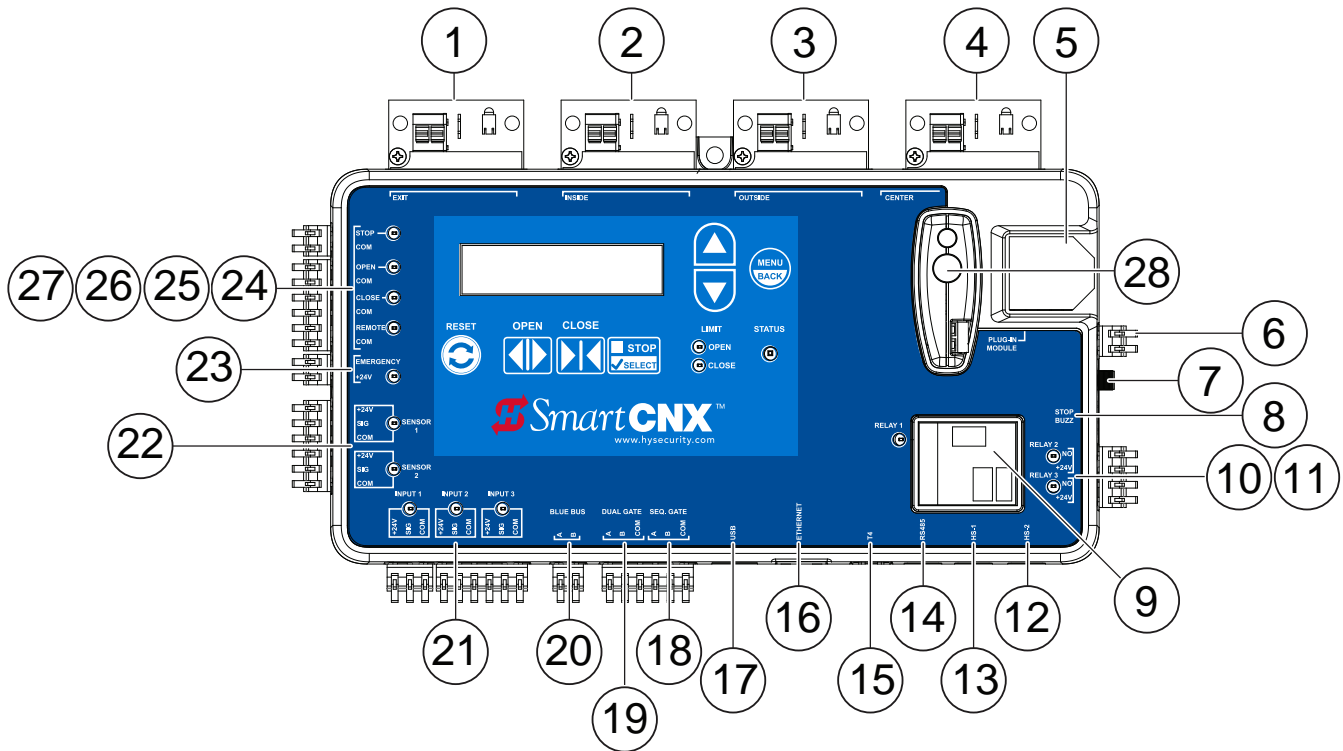


Figure 25. SmartCNX Controller Connections

1. **Hy5B EXIT Loop** – This opens a fully closed gate or reopens a closing gate.
2. **Hy5B INSIDE Loop** – Reversing loop on secure side.
3. **Hy5B OUTSIDE Loop** – Reversing loop on public side.
4. **Hy5B CENTER Loop** – Detect vehicle in swing arc of the gate
5. **(Not Used)**
6. **OXI Antenna**
7. **(Not Used)**
8. **Stop/Buzzer Harness**
9. **Relay 1** – Mechanical relay
10. **Relay 2** – Solid state relay
11. **Relay 3** – Solid state relay
12. **HS-2** – Can connect to expansion module.
13. **HS-1** – Harness connects communication to drive module.
14. **RS485**
15. **T4 Port**
16. **Ethernet**
17. **USB** – Used for software updates & fault log download.
18. **Sequenced Gate Connection**
19. **Dual Gate**
20. **BlueBUS** – For use with NICE BlueBUS devices
21. **Programmable Inputs 1-3**
22. **Programmable Sensor Inputs 1-2** – UL 325 required external entrapment sensors
23. **Emergency** – Programmable to fire department open or emergency close
24. **Remote** – Programmable for three functions, defaults to step function
25. **Close** – Close only input
26. **Open** – Open only input
27. **Stop** – Stop and reset input
28. **OXI** – Radio for NICE access control "clickers".

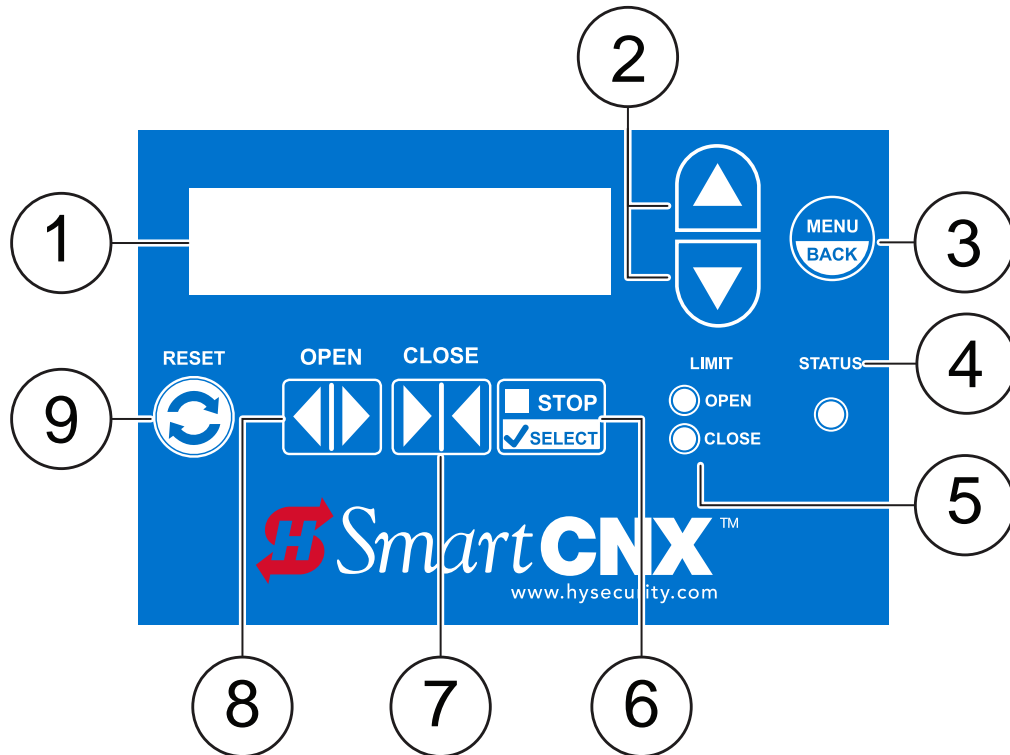


Figure 26. SmartCNX Control Board User Interface

1. **Display** – 16 characters per line, 2 line display. Displays current operator status, menus, and alerts/faults/errors.
 2. **Up/Down Arrows** – Navigate through menu and display options while in Menu Mode.
 3. **Menu/Back** – Open Menu Mode from the operator status display. Go back from the current menu (exit the current menu).
 4. **Status LED** – Indicates gate operator status
 - a. Flashing Red – An Alert, Fault, or Error has occurred. Immediately shut down the machine and correct the fault.
 - b. Solid Red – Operator is in Menu Mode
 - c. Flashing Green – Operator is in Run Mode
 - d. Flashing Blue – Operator is pairing with a Bluetooth device.
 - e. Alternating Blue and Red/Green – Operator is communicating with a Bluetooth device.
 5. **Limit Open/Close** – Solid green when target magnet activates limit sensor.
 6. **Stop/Select** – Stops gate travel when in run mode.
Press to select current menu option or to confirm setting value
 7. **Close** – Closes the gate while in Run Mode.
 8. **Open** – Opens the gate while in Run Mode.
 9. **Reset** – Press to clear faults and return to Run Mode. Cannot be used in Menu Mode.
- Note: You can configure the menus on battery power when an external power source is not yet present.

CONFIGURE THE SETUP MENU (SLIDE)

The first time the SmartCNX controller powers on set USAGE CLASS, GATE HANDING, and LEARN LIMITS before normal operation.

1. Set the AC and DC switches to ON the first time. Software version appears on the display and then USAGE CLASS - 0.
2. Press SELECT, press the UP or DOWN arrow to navigate to the correct USAGE CLASS (page 6), and press SELECT to accept value.
3. Press the UP or DOWN arrow until GATE HANDING appears on the display, press SELECT, press the UP or DOWN arrow to navigate to the correct option, and press SELECT to accept value.
4. STARTING UP flashes on the display, then LEARN LIMITS appears.
5. Hold the OPEN button until the gate slides to full open. Release the OPEN button.

Note: Press CLOSE to reverse direction.

6. Press SELECT twice to store the full open location in memory.
7. Hold the CLOSE button until the gate slides to full close. Release the CLOSE button.

Note: Press OPEN to reverse direction.

8. Press SELECT twice to store the full close location in memory.
9. GATE CLOSED appears on the display. ALERT 15 flashes until the limit sensor detects the target magnet on the next open cycle.

Note: NO AC POWER flashes if the AC power is not connected or the AC power switch is set to OFF.

10. Press OPEN and then CLOSE to cycle the gate. An audible beep and both OPEN and CLOSE limit LEDs flash when the target is first recognized on the close cycle.

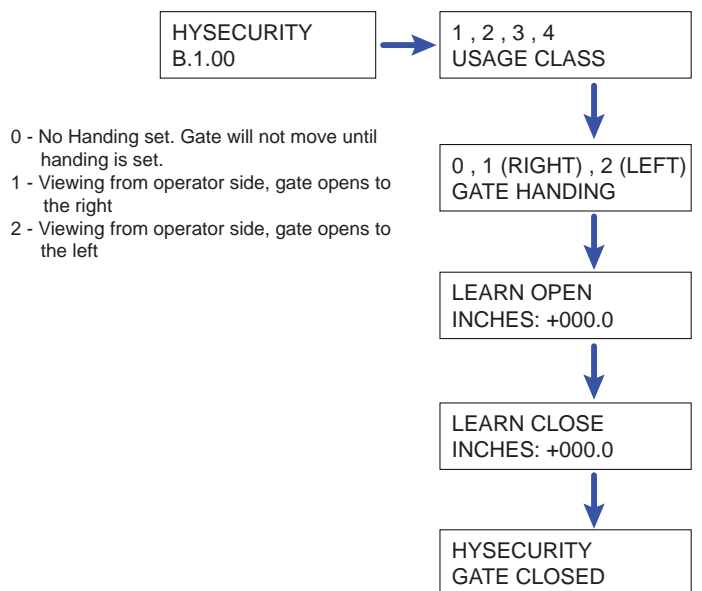


Figure 27. Configuring Setup Menu

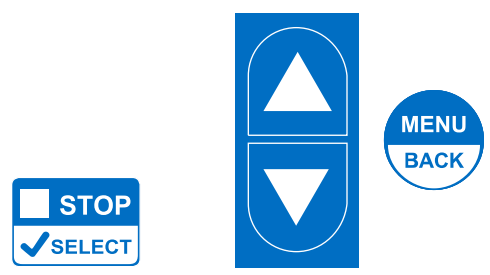
NAVIGATE THE MENUS

Press MENU/BACK to enter the menus or to exit the current screen (up one level without saving any changes).

Press the UP or DOWN arrow to change the current selection until you find the one you want.

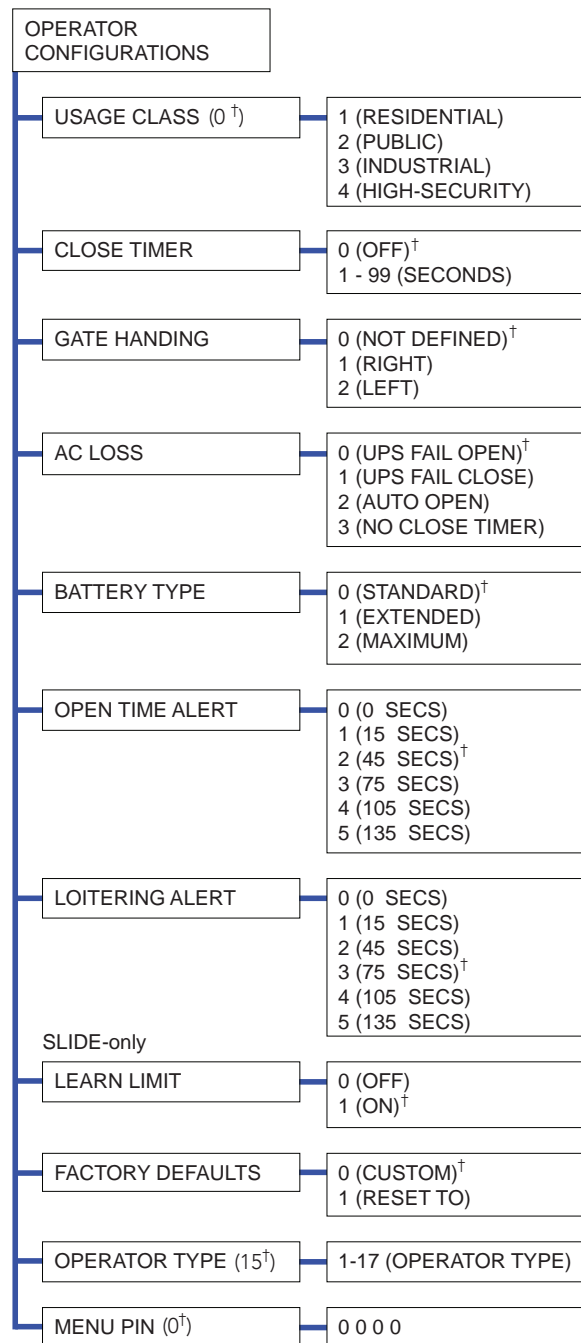
Press SELECT to access the menu or sub-menu. Press SELECT to accept the current option or value.

Note: These navigation instructions are the same throughout the SmartCNX controller menus.

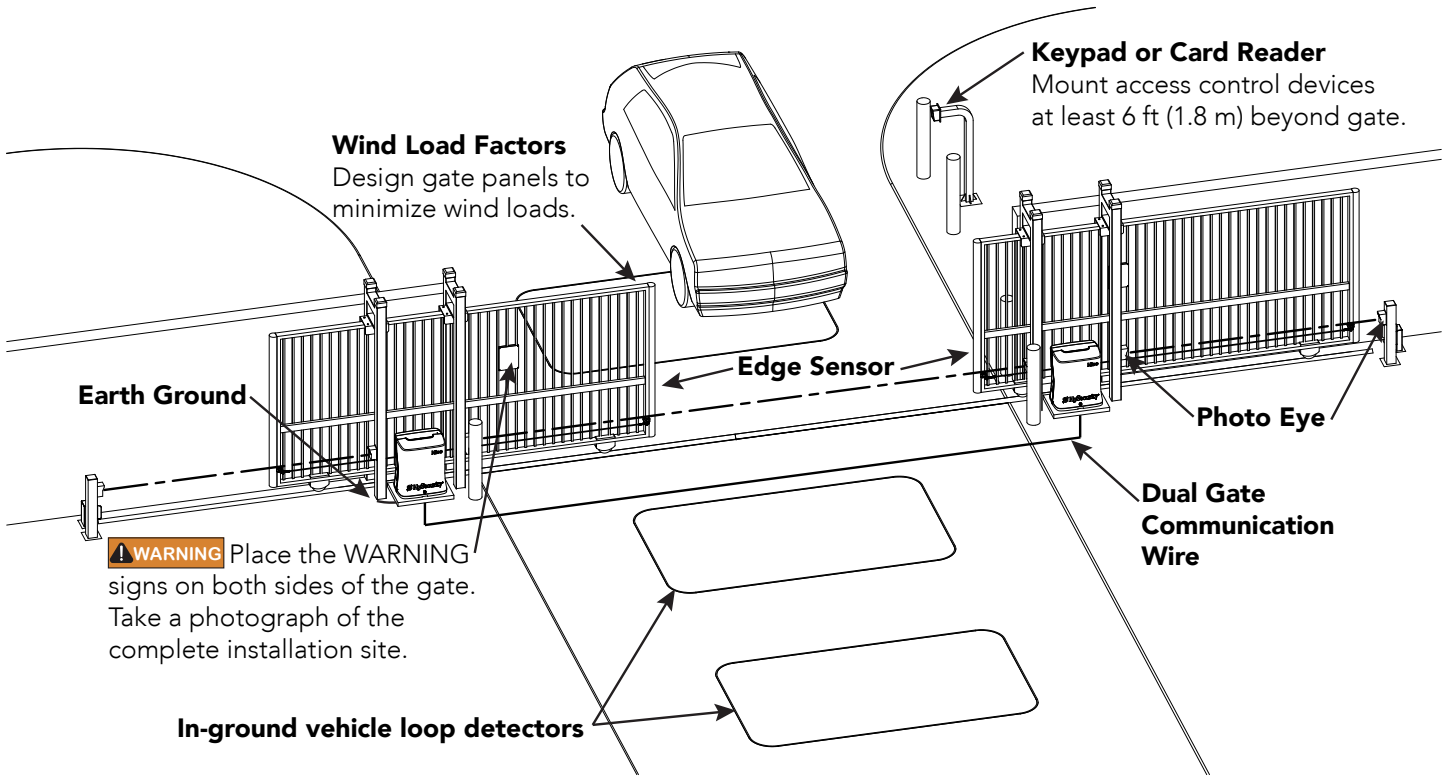


OPERATOR CONFIGURATIONS

- **USAGE CLASS:** UL 325 designations 1-4 (refer to Safety Requirements page 6)
- **CLOSE TIMER:** Number of seconds before open gate initiates closure after all inputs are clear.
- **GATE HANDING:** Direction gate opens when viewed from the operator.
- **AC LOSS:** Action operator performs during an AC power loss. (Refer to Advanced manual)
- **BATTERY TYPE:** Configure if using larger capacity batteries. (Refer to Advanced Manual)
- **OPEN TIME ALERT:** Activates relay (function 8) when gate is open longer than selected time period.
- **LOITERING ALERT:** Activates relay (function 13) when vehicle is over Outside Obstruction Loop with gate closed longer than selected time period.
- **LEARN LIMIT (SLIDE ONLY):** Set to 1 to place operator in learn limits mode. Installer must then set open and close limits.
- **FACTORY DEFAULTS:** Set to 1 to erase all installer entered settings and return to factory defaults.
- **OPERATOR TYPE:** Factory set. Used only if replacing the SmartCNX Controller.
- **MENU PIN:** Allows installer to set a 4-digit security pin to restrict access to CNX controller menus.



† = Indicates default



1. Install the primary and secondary operators.
2. Set up external entrapment sensors, vehicle detectors, and other input devices on both operators before you connect the operators.
3. Test cycle the operators independently to make sure there are no problems with gate travel and open/close stops.
4. Install a twisted shielded pairs wire harness between the two operators. Match A-A, B-B, and COM-COM. Install the grounding shield on only one of the controller mounting brackets.

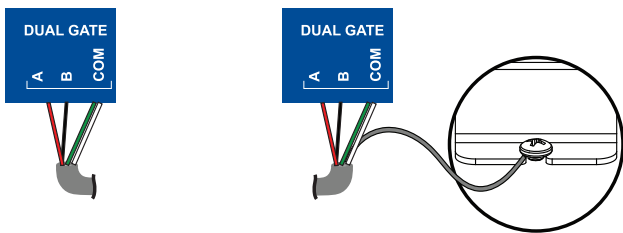
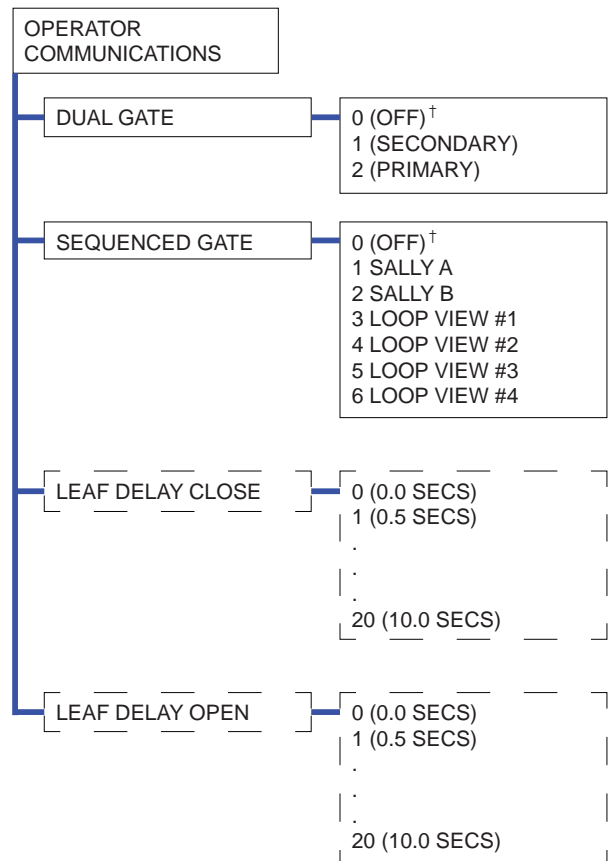


Figure 29. Dual Gate Connection

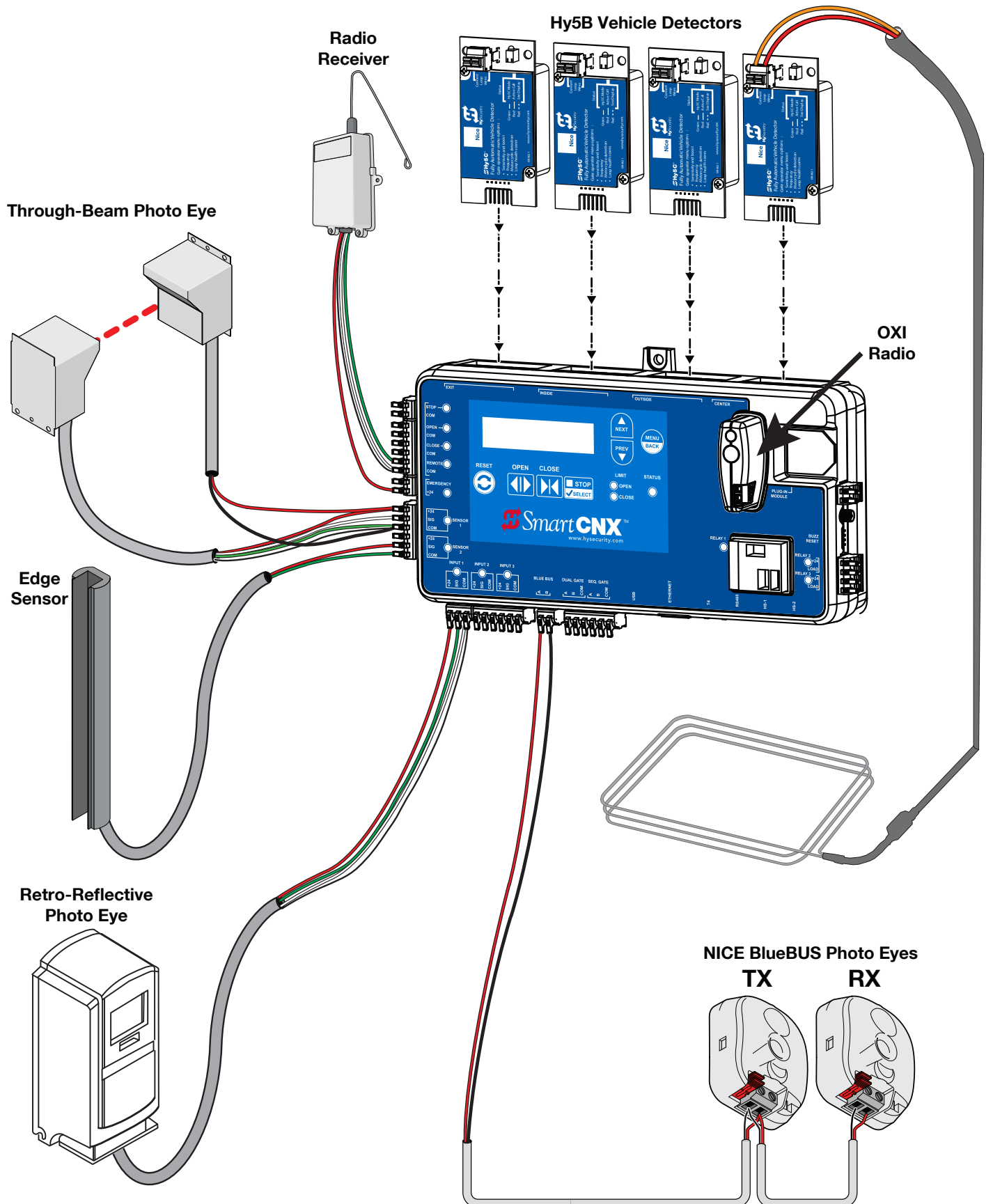
5. Set one operator as the primary and the other as the secondary.
 6. Test the gate operation.
 7. Adjust LEAF DELAY CLOSE and LEAF DELAY OPEN if required.
- † = Indicates default



For Sequenced Gate applications refer to Advanced Manual.

CONTROLLER INPUTS

SmartCNX Controller Input Examples



To comply with UL 325 Safety Standards, CNX operators are equipped with a Type A, Inherent Entrapment Sensor (IES). The IES software monitors the average motor current when a gate is in motion and reverses direction of gate travel when the current exceeds a self-adapting threshold. A spike in motor current can be caused by a collision with a vehicle, failing gate hardware, extreme wind gust, or any other force applied against the moving gate. To set the IES sensitivity for your site follow these instructions:

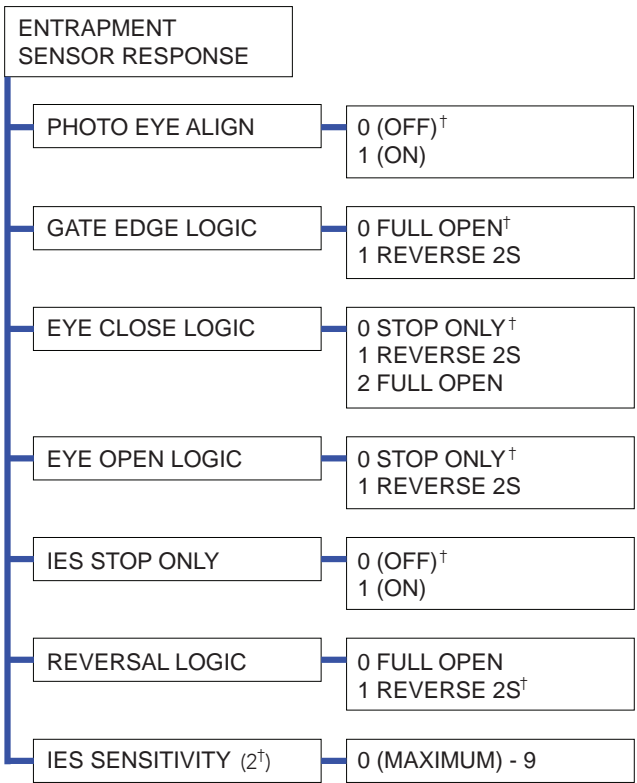
1. Press MENU on the Smart CNX Controller.
2. Press the UP or DOWN arrow to navigate to ENTRAPMENT SENSOR RESPONSE, press SELECT.
3. Press the UP or DOWN arrow to navigate to IES SENSITIVITY, press SELECT.
4. Press the UP or DOWN arrow to choose an IES SENSITIVITY, press SELECT to update the setting.

Note: Settings 0-8 are adaptive and setting 9 is fixed.

5. Press BACK until the display shows the operator status.
6. Run the operator for 3 uninterrupted gate cycles so the IES can adapt to the new setting.
7. Apply force to the leading edge of the moving gate to trigger the IES. Gate will stop motion and reverse for two seconds. "SAFE MODE" appears on the display.

Note: In Safe Mode, the automatic close timer is disabled, but any open or close input restarts gate motion. Safe Mode clears when full travel reached or Reset button pushed.

Note: A second IES trip before Safe Mode is cleared, results in an Entrapment Mode Alert which can only be cleared with a Reset on the display, an open input, stop input, or stop button on CNX cover.



[†] = Indicates default

ENTRAPMENT SENSOR WIRING - BLUEBUS

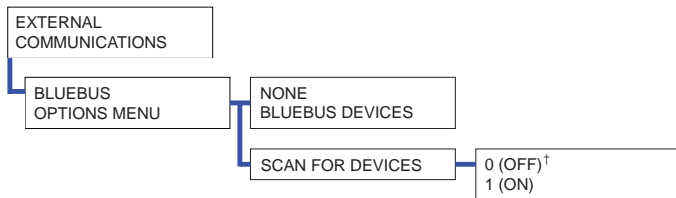
HySecurity provides one BlueBUS thru beam photo eye pair typically used as EYE CLOSE

Install a BlueBUS photo eye:

1. Verify the jumpers on transmitter (TX) and receiver (RX) are in the same positions (Figure 30).
2. Install the BlueBUS photo eyes in appropriate locations for entrapment protection (page 9).
3. Set the AC and DC switches to OFF.
4. Route the wires to the inside of the CNX chassis (Figure 7).
5. Install the wires between the TX and RX and then into BlueBUS terminals on the SmartCNX controller (Figure 31).

Note: With BlueBUS technology there are 4 total close direction pairs and 2 open direction pairs available. Refer to Advanced Manual for more information. Pairs may either be connected in parallel to one another or directly to the SmartCNX Controller.

6. Set AC and DC switches to ON.
7. In EXTERNAL COMMUNICATIONS MENU, select BLUEBUS OPTIONS MENU, and set SCAN FOR DEVICES to 1 (ON).

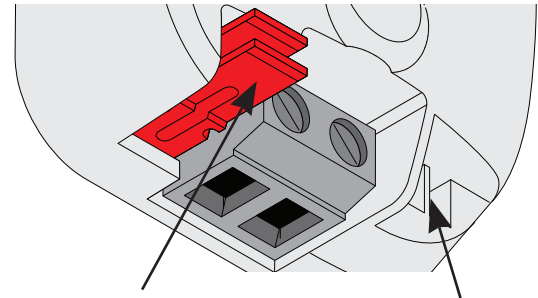


8. Display will show EYE CLOSE BlueBUS P1.
9. In ENTRAPMENT SENSOR RESPONSE menu, set the desired response action for each entrapment type.
10. Test the function of each sensor pair.

BlueBUS RX LED Status Light	Status
Off	No power
3 flashes, pause, repeat	Controller has not memorized the pair
Slow flashes	Good signal
Fast flashes	Weak signal
Always on	No signal

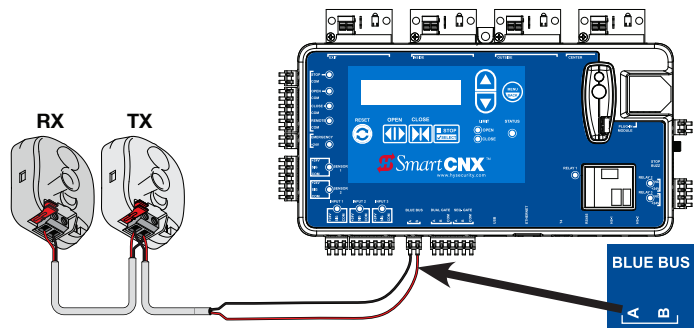
Direction	Pair	Jumper Positions (Pairs must match)	BlueBUS Photo Eye Position
CLOSE	P1		FOTO
OPEN	P5		FOTO 2

Figure 30. BlueBUS and Jumper Designation



Example jumper position Close P1

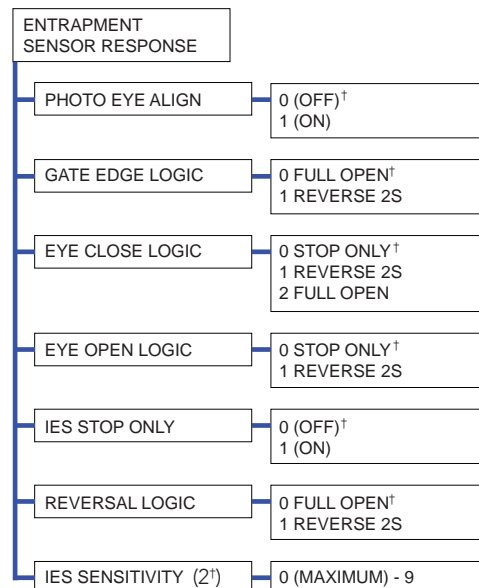
Jumper storage



NOTE: Matching wire polarity is not required for BlueBUS photocells.

NOTE: Jumper locations shown here are for a CLOSE P1 installation.

Figure 31. Connect the BlueBUS Photo Eye



† = Indicates default

HySecurity provides one edge sensor typically used as hardwired EDGE OPEN.

Install the edge sensor:

1. Install the edge sensor in an appropriate location for entrapment protection (page 9).
2. Set AC and DC switches OFF.
3. Route the wires to the inside of the CNX chassis (Figure 7).
4. Install the wires into Sensor #1 or Sensor #2 on the SmartCNX controller (Figure 32).

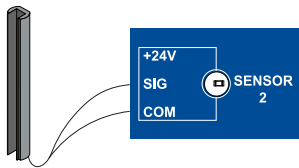


Figure 32. Sensor Connection

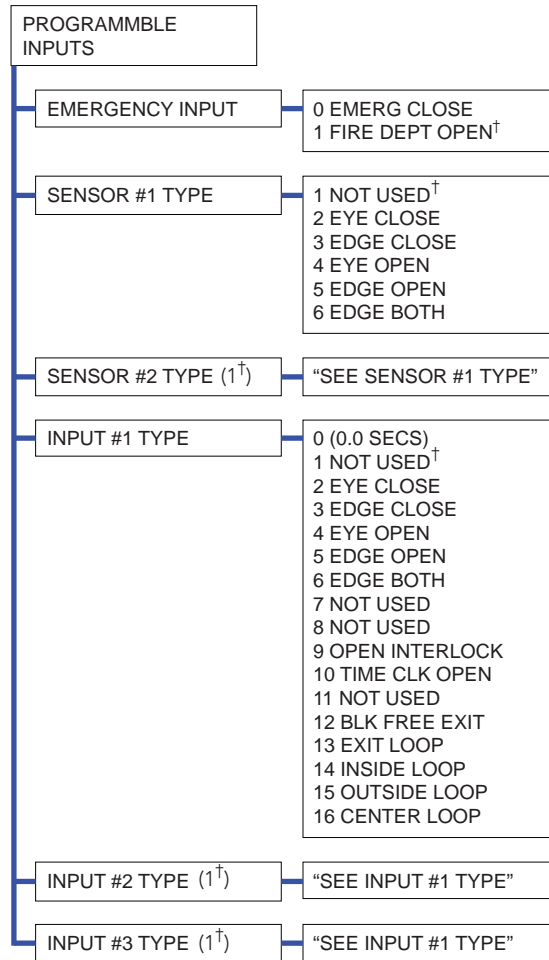
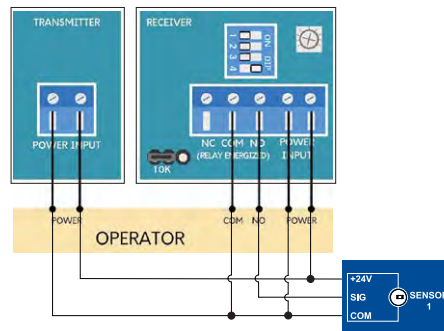
5. Set AC and DC switches to ON.
6. In PROGRAMMABLE INPUTS menu, select the SENSOR TYPE for each external entrapment sensor. The indicator LED changes to green when sensor is activated or not installed correctly.
7. In ENTRAPMENT SENSOR RESPONSE menu, set the desired response action for each entrapment type.
8. Test the function of each sensor.

Install a non-BlueBUS photo eye:

Additional photo eyes can connect to the SmartCNX Controller terminals Sensor 1 - 2 and Input 1 - 3. Follow the same instructions for an edge sensor.

An example wiring diagram is shown below for a non-contact sensor (photo eye). Set any DIP-switches and jumpers according to manufacturer instructions for 10k normally open.

Example wiring for the EMX IRB-MON transmitter and receiver.



[†] = Indicates default

LIST OF ENTRAPMENT SENSORS

COMPATIBLE EXTERNAL SENSORS

NOTICE

The SmartCNX Controller inputs use 10k or 4-wire pulsed monitoring. Connect sensor using normally open connections. The SmartCNX Controller does not support normally closed inputs.

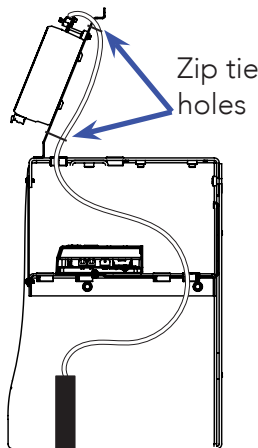
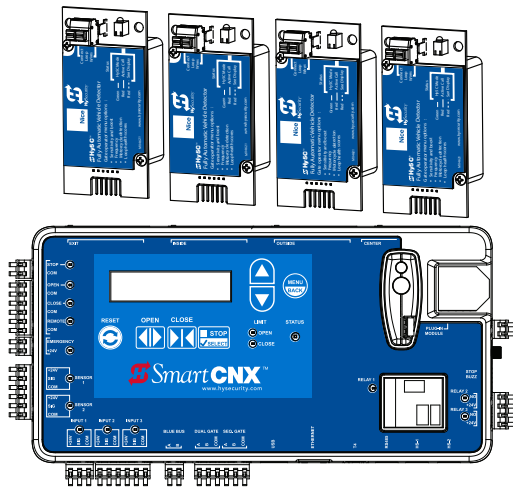
Table 1. Sensors Tested for Use with HySecurity Operators

	Mfg. Part #	Mfg.	Details	10k or 4-Wire Pulsed	Hysecurity Part #
Photo Eyes (Retroreflective)	E3K-R10K4-NR	Omron	40 ft max range limit	10k	MX000999
	NIR-50-325	EMX	45 ft max range limit	10k	
	IRB-RET	EMX	53 ft max range limit	Both	
	E-931-S50RRGQ	Seco-Larm	46 ft max range limit	10k	
Photo Eyes (Through-Beam)	IRB-MON	EMX	65 ft max range limit	10k	MX3990
	E-960-D90GQ	Seco-Larm	90 ft max range limit	10k	
	BlueBUS	Nice	65 ft max range limit		
Edge Sensors	Sentir Series	ASO Safety	Channel mount, high profile Channel mount, low profile Round, wraparound Square, wraparound	10k	AS1502-0440-05 AS1502-0430-05 AS1501-0760 AS1501-0790
	CPT210-2U-#-T2	Miller Edge	10k resistor termination (replace # with length requirement in feet)	10k	
Edge, Wireless Kits	iGAZE RE Kit	Transmitter Solutions	50 ft line of sight max range limit	10k	
	WEL-200 (kit with receiver and transmitter)	EMX	200 ft line of sight max range limit	Both	

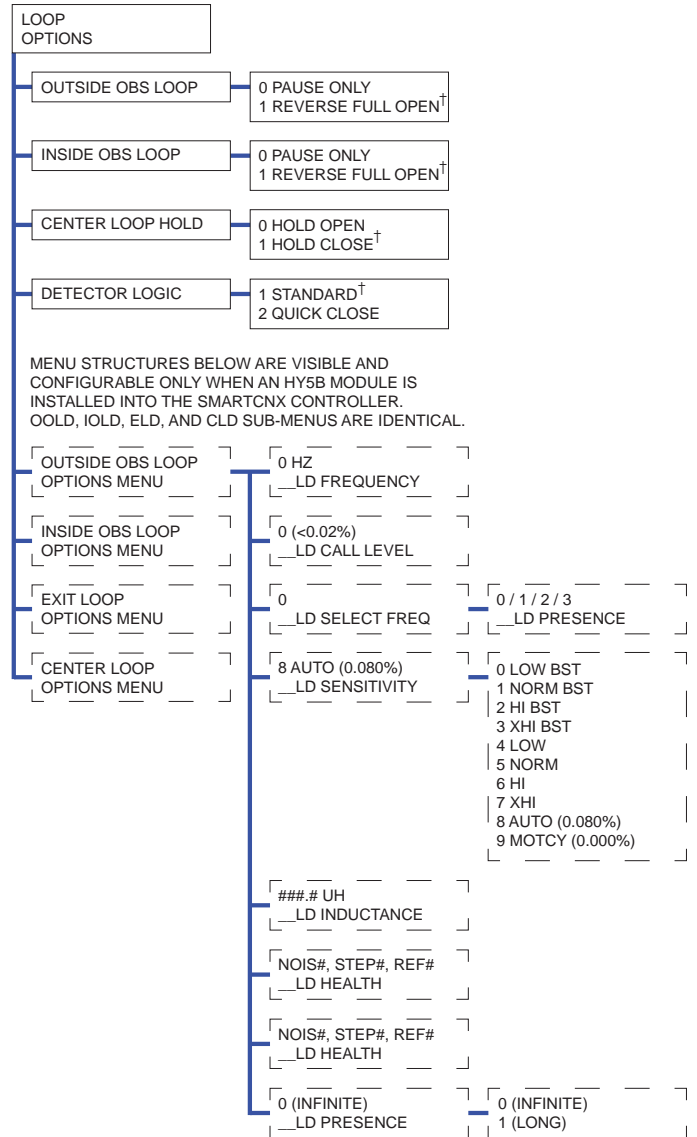
INSTALL AN HY5B AND VEHICLE LOOP DETECTOR

There are 4 Hy5B ports on the SmartCNX controller: Free Exit, Outside Obstruction, Inside Obstruction, and Center. Refer to Appendix A for a standard loop layout illustration.

1. Route the loop detector wires through the operator chassis to the SmartCNX Controller
2. Switch off AC and DC power.
3. Connect the wires to the Hy5B module.
4. Plug the Hy5B into the appropriate port (remove rubber plug).
5. Use zip ties and the holes in the aluminum controller bracket to neatly organize the loop lead wires to keep wires out of the way and prevent them from moving.
6. Switch on AC and DC power. The display will show loop detectors 'Initializing'.
7. In LOOP OPTIONS menu configure the appropriate loop detector settings.



† = Indicates default



RELAY OUTPUTS - BASIC

The three relays on the SmartCNX Controller are configurable to perform a wide range of options for integration with external devices. For more information, see Advanced Manual.

1. Install the relay controlled device according to the manufacturer's instructions.
2. Route the relay wires to the SmartCNX Controller (Figure 34).

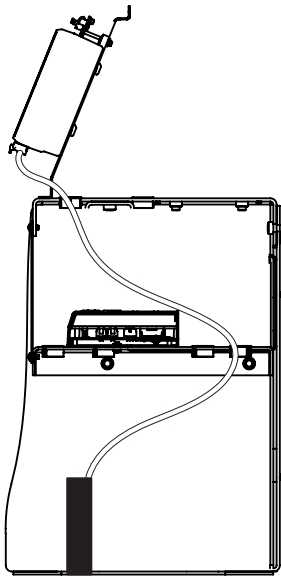


Figure 34. Route Relay Wires

3. Install the relay wires in the appropriate relay port: mechanical (Relay 1) or solid state (Relay 2 and 3) (Figure 35).

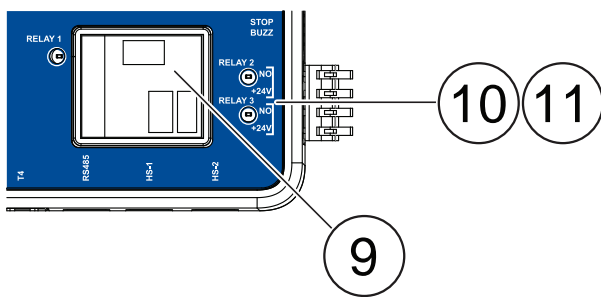
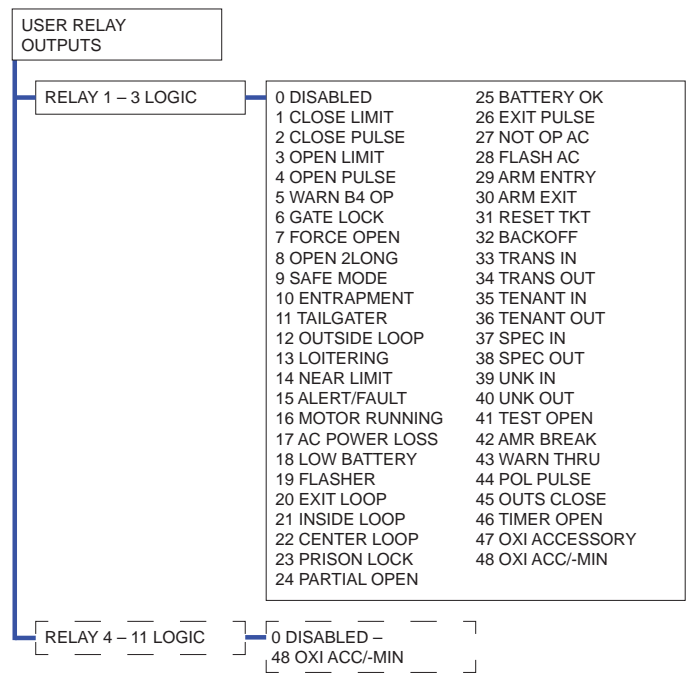
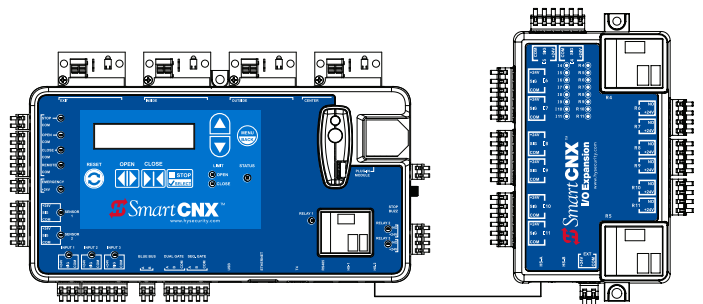


Figure 35. Relay Ports

4. Press MENU on the SmartCNX Controller.
5. Press the UP or DOWN arrow to navigate to USER RELAY OUTPUTS, press SELECT,
6. Press the UP or DOWN arrow to navigate to RELAY LOGIC, press SELECT.
7. Press the UP or DOWN arrow to highlight the appropriate setting, press SELECT.
8. Press BACK until the SmartCNX controller resets and operator status displays.



RELAY 4 – 11 ARE VISIBLE AND CONFIGURABLE ONLY WITH OPTIONAL I/O EXPANSION MODULE WHICH CONNECTS VIA TWISTED SHIELDED PAIRS COMMUNICATION CABLE FROM HS-2 ON THE SMARTCNX CONTROLLER TO HS-1 ON THE EXPANSION MODULE



- Accessory power limited to 2A at 24VDC.
- Relay capacity: (1) Mechanical 20A max at 240VAC (Figure 35 Item 9). (2) Solid state relays 30VDC, 2A max (Figure 35 Item 10, 11).

MECHANICAL MAINTENANCE

The SlideSmart CNX requires minimal mechanical maintenance. Check the following on a routine basis:

- Sweep debris out and away from the chassis.
- Check for signs of rust. If any areas of rust are found, reduce spread of corrosion by treating areas with a rust inhibitor.
- Check for chain wear. Replace if stiff or excessively rusted.
- Check for damage to gate hardware due to gate strikes. Manually push/pull gate from open/close to verify smooth rolling contact.
- Replace worn-out batteries. Refer to "DC Battery Replacement" on page 33.
- Tighten chain if too loose. Make sure that chain sag is less than 3 inches.
- Verify position of target magnet. If not located between idler and sprocket when gate is closed, reposition target magnet and relearn limits.

FUSE REPLACEMENT

A 20A fuse is located next to the battery harness. It requires no maintenance, but if blown due to a power surge, swap it out with a new fuse (Figure 36). ALERT 28 BATT DISCONNECTED indicates a blown fuse or disconnected battery.

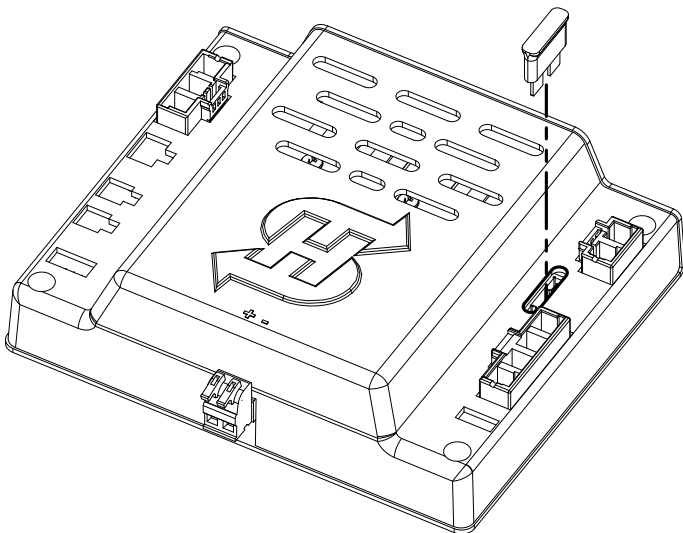


Figure 36. Fuse Replacement

Note: Dispose of batteries properly. See Advanced Manual for more information.

DC BATTERY REPLACEMENT

HySecurity provides a one year warranty from the date of shipment for all batteries supplied with the SlideSmart CNX operator.

Display indicators of a low battery include:

- LOW BATTERY or DEAD BATTERY
- ALERT 18 - CHANGE BATTERY
- ALERT 28 - DISCONNECTED BATTERIES. Gate operation is affected by AC power loss.

The two 8Ah batteries are located on the left hand side of the power shelf behind power shelf cover.

To replace the batteries:

1. Remove the front cover.
2. Set the DC and AC power switches to OFF.
3. Remove the power shelf cover.
4. Cut the zip ties on the batteries.
5. Disconnect the blue jumper wire, disconnect the wire harness, and remove the 8Ah batteries.

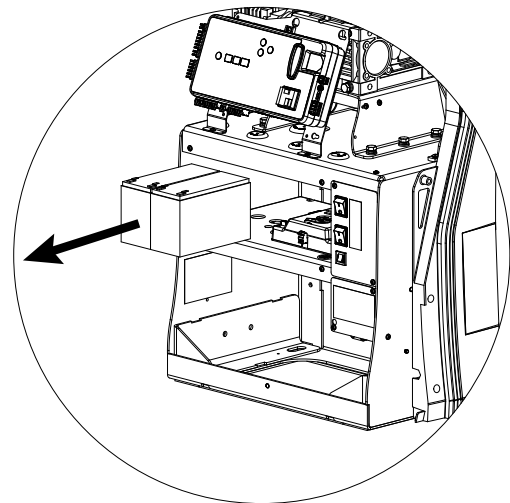


Figure 37. Remove the Batteries

6. Install the new batteries.
7. Connect the red harness wire to the red terminal on left battery.
8. Connect the blue harness wire to the black terminal on the right battery.
9. Connect the blue jumper wire between the batteries.
10. Set the AC and DC switches to ON and replace the front cover.

FIRMWARE UPDATES AND DEBUG DATA

Download the firmware to a USB drive:

1. Go to <https://hysecurity.com/technical-support/operator-software/> for the correct operator type and login or register.
2. Download the latest firmware.
3. Connect a USB drive to your computer.

Note: FAT32 is the preferred file system for USB drives used for CNX firmware updates.

4. Navigate to the folder with the firmware zip file.
5. Right click on the zip file, click Extract All, click Browse, select the USB drive, click Select Folder, and wait for the files to finish extracting.
6. Safely disconnect the USB drive.

Install the firmware:

1. Move the gate to the open position to allow free flow of traffic. The SmartCNX Controller ignores all inputs and outputs during the firmware update.
2. Plug the USB drive into the USB port on the SmartCNX Controller (Figure 38).
3. Press SELECT when USB OPTIONS MENU appears.
4. Press the UP or DOWN arrow to LOAD SW and press SELECT.
5. Press the UP or DOWN arrow to YES and press SELECT.
6. The display shows LOADING SW while the firmware loads. It could take up to 10 minutes to load the firmware.

NOTICE

Do not shut off power. Do not remove the USB or HSP1 communication cable during download. This can cause SmartCNX Controller communication to stop and requires a SmartCNX Controller replacement.

7. The display shows COMPLETE and the controller beeps once when software loading ends.
8. Remove the USB drive.

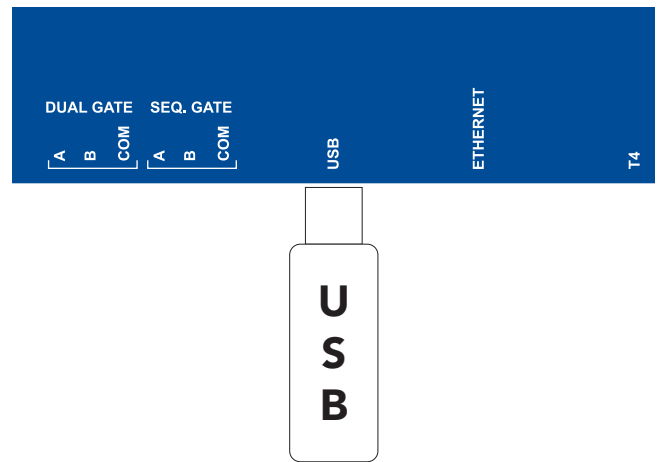
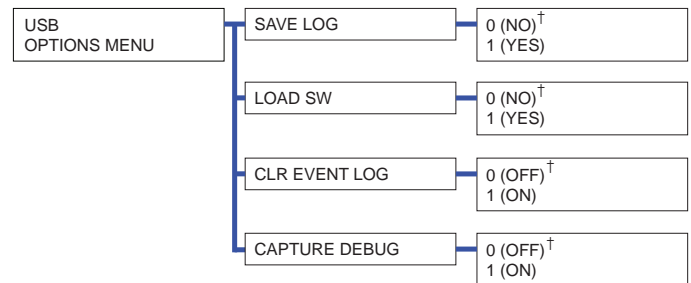


Figure 38. USB Port



SAVE LOG allows for download of fault log to USB.

CAPTURE DEBUG collects useful troubleshooting data when cycling the operator. Data is written to USB as long as USB remains plugged in.

† = Indicates default

Table 3. SmartCNX Controller - Troubleshooting

Display Condition	Description Alert, Error or Fault	Possible Causes	Solutions
SAFE MODE	Safe Mode Alert	Occurs when an edge sensor or Inherent Entrapment Sensor (IES) trips. Gate binding, wind, or a faulty edge sensor can cause a false alert.	<ol style="list-style-type: none"> 1. Press RESET or either STOP button. 2. Remove obstruction. 3. Correct gate hardware. 4. Correct faulty edge sensor. 5. Adjust IES sensitivity.
ENTRAPMENT MODE	Entrapment Mode Alert	<p>Occurs when IES is tripped when gate is already in Safe Mode (two IES trips in one cycle). Operator will not function until it is reset, which can occur by:</p> <ul style="list-style-type: none"> ● An Open or Stop command from a push-button control ● Pressing STOP button on operator side ● Pressing RESET button below display <p>Gate binding, wind, or a faulty edge sensor can cause a false alert.</p>	Refer to solutions above.
NO AC POWER	No AC Input Power Advisory only.	AC power is shut off at source (breaker) or is not connected. AC power switch on operator (lower rocker switch) is turned off, or circuit breaker on the operator has tripped. Bad power supply. Power supply selector switch is in the wrong position.	<ol style="list-style-type: none"> 1. Set AC switch to On. 2. Reset operator circuit breaker or reset circuit breaker at electrical panel. 3. Verify AC power to operator. Have a licensed electrician check wiring. 4. Check power supply output is 36VDC.

Table 3. SmartCNX Controller - Troubleshooting

Display Condition	Description Alert, Error or Fault	Possible Causes	Solutions
LOW 24VDC	Low 24VDC UPS Batteries Advisory only.	<p>Occurs when battery voltage has dropped to less than 22V. At this level, batteries are 80% depleted. Normal function until 21V.</p> <ul style="list-style-type: none"> ● No AC Power. ● Wiring / Connector problem ● Drive module charger failure ● Power supply failure 	<ol style="list-style-type: none"> 1. Verify AC power. 2. Check all connections. Clean or repair as required. 3. Check battery condition and replace as required. 4. Check charger voltage is 27VDC at red/blue battery wires. Replace drive controller. 5. Verify power supply voltage of 36VDC and replace as required.
DEAD BATTERY	Extremely low UPS batteries – no automatic operation - batteries below 21V.	Occurs when battery voltage has dropped to less than 21V. At this level, batteries are 90% depleted. Gate will automatically open or close depending upon setting chosen. No additional automatic function is possible, but limited push button control is available to 18V.	Refer to solutions above.
HYSECURITY BAD POWER	Critically low 24V supply power. This message can occur only on initial start up if power is critically low.	DC power is below 14V – no control functions will be allowed at all.	Refer to solutions above.
No display, LED blinking	SmartCNX Controller is receiving power, but battery voltage is very low.	<p>Several possible causes:</p> <ul style="list-style-type: none"> ● AC power has been shut off from the operator for too long and the batteries are drained. ● Wiring problem. ● Batteries no longer hold a charge. ● Bad SmartCNX Controller. ● Bad power supply or drive module. ● Disconnected com (HSP) wire between SmartCNX controller and drive module. 	Refer to solutions above.

TROUBLESHOOTING/ALERTS/FAULTS/ERRORS

Table 3. SmartCNX Controller - Troubleshooting

Display Condition	Description Alert, Error or Fault	Possible Causes	Solutions
LOADING SW	Software is being loaded into SmartCNX Controller.	Software is currently being loaded.	Wait for software to finish loading.
ALERT 1 FORCE OPEN	Gate forced open. Alarm will sound.	Gate has been forced open from a full close limit and is being prevented from re-closing.	Will self-clear after an open or close input.
ALERT 2 DRIFT CLOSED	Gate drifted closed.	Gate has drifted closed from a full open limit and is being prevented from re-opening.	Will self-clear after an open or close input.
ALERT 3 EXCESS DRIFT	Gate drift in transit - Advisory only	Alert appears if gate drifts three times in a five minute period.	Check track to make sure it is level.
ALERT 4 MOTOR OVERLOAD	Thermal overload alert. When alert is triggered, gate can only "fully open" until alert is cleared.	Motor drive heat sink exceeds 195°F. Alert temporarily disables operator, but automatically resets itself when it cools down. May also occur if the heatsink temperature is 70°F. higher than ambient temperature.	Check gate hardware. Alert automatically clears when temperature drops below threshold.
ALERT 5 BOTH LIM ACTIVE (Swing only)	Both limit sensors are on at the same time	<ul style="list-style-type: none"> ● Short in wiring or drive module connection ● Failed limit sensor 	<ul style="list-style-type: none"> ● Repair any wiring issues. ● Check limit sensors and replace as required.
ALERT 6 LIM NOT RELEASED (Swing only)	The limit did not release when the operator was commanded to move.	<ul style="list-style-type: none"> ● Loose taper clamp. ● Arm assembly binding. 	<ul style="list-style-type: none"> ● Tighten taper clamp ● Check limit sensors and replace as required ● Verify arm condition
ALERT 7 FREQ SHIFT FAULT*	Hy5B detects a frequency change outside normal range.	Likely causes are poor integrity of loops or metallic objects within range.	Check lead and roadway loop wires for problems. Replace if necessary.
ALERT 8 LOOP SHORTED*	Hy5B detects a loop shorted to ground.	Caused by inadequate insulation of loop wires.	Refer to solution above.
ALERT 9 LOOP OPEN*	Hy5B detects a lack of continuity in loop wire.	Caused by broken loop wire or wire has come unplugged from detector.	Refer to solution above.

* This message will also indicate which detector the alert applies to: Exit Loop (ELD), Inside Obstruction Loop (IOLD), Outside Obstruction Loop (OOLD), or Center Loop (CLD).

TROUBLESHOOTING/ALERTS/FAULTS/ERRORS

Table 3. SmartCNX Controller - Troubleshooting

Display Condition	Description Alert, Error or Fault	Possible Causes	Solutions
ALERT 10 I2C BUS ERROR*	Communication error detected to a Hy5B vehicle detector.	Caused by removal of Hy5B or lack of integrity of socket connection.	Remove and re-install the Hy5B and press RESET. Replace Hy5B, if necessary.
ALERT 11 DETECTOR FAULT*	A problem detected within an Hy5B vehicle detector.	Caused by a fault within Hy5B.	Remove and re-install the Hy5B and press RESET. Replace Hy5B, if necessary.
ALERT 12 ON TOO LONG*	An input loop (Hy5B or box detector output) is active for more than 5 minutes.	Caused when Smart DC Controller sees an active loop for more than 5 minutes. "Active" loop can be actual or false.	Check traffic patterns at site. Loop and lead in wires should be checked for problems or replaced.
ALERT 13 STIFF GATE	A gate takes more power to move over time.	Caused by degrading gate hardware or debris in track. This alert appears in history log. It does not have any effect with regard to opening or closing gate.	Check and correct gate hardware as required.
ALERT 14 STUCK GATE	The gate cannot move at all.	Caused by broken gate hardware or ice/snow buildup.	Check and correct gate hardware as required. Clear ice and snow.
ALERT 15 NO TARGET (SLIDE ONLY)	Target magnet is missing or is not detected.	<ul style="list-style-type: none"> ● Target magnet fell off or target sensor wires are damaged. ● Target magnet not installed in correct location. 	<ol style="list-style-type: none"> 1. Make sure target is properly fastened. 2. Check target sensor to make sure it is reading magnet. 3. Change sensor if it or its wires are damaged.
ALERT 18 CHANGE BATTERY	24VDC UPS batteries need to be replaced. Buzzer will chirp every minute until UPS batteries are replaced.	Batteries are not taking a charge properly.	Replace the 24VDC UPS batteries
ALERT 20 LI BLOCK OPEN		An interlock contact is closed, indicating that the gate latch (lock) is engaged, preventing the operator from starting.	<ol style="list-style-type: none"> 1. Check the interlock terminal and wiring. 2. Check programmable input setting.

* This message will also indicate which detector the alert applies to: Exit Loop (ELD), Inside Obstruction Loop (IOLD), Outside Obstruction Loop (OOLD), or Center Loop (CLD).

TROUBLESHOOTING/ALERTS/FAULTS/ERRORS

Table 3. SmartCNX Controller - Troubleshooting

Display Condition	Description Alert, Error or Fault	Possible Causes	Solutions
ALERT 22 INTLOCK FAILURE	Interlock/ Sequential Gate communication lost. Alert auto clears when communication between two operators is restored.	<ul style="list-style-type: none"> ● Appears when communication connection is lost for more than 5 seconds between interlocked or sequenced gate operators. ● Solo operator has Sequential gate set to ON. 	<ol style="list-style-type: none"> 1. Check cable connections and wiring. Make sure both operators are working properly with same, current software versions. 2. Verify Sequential Gate is set to (0) on a solo operator.
ALERT 28 BATTERY DISCONNECTED	Battery disconnected from drive module.	Dead or disconnected batteries detected by SmartCNX Controller. Operator may still function on AC power but will not have battery backup. Battery fuse may be blown.	Replace or reconnect batteries. Replace fuse if needed.
FAULT 1 MOTOR RUN TIME (SWING ONLY)	The motor is on longer than the maximum run time selected.	<ul style="list-style-type: none"> ● Taper clamp slipping ● Missing target or bad limit sensor 	<ol style="list-style-type: none"> 1. Tighten taper clamp. 2. Check limit sensors. Replace as required. 3. Increase Max Run Timer.
FAULT 2 PHOTO EYE	Photo eye is missing or not working.	This fault can only occur if monitored sensor check fails.	Correct malfunctioning photo eye.
FAULT 4 GATE NO LOAD	SmartCNX Controller detects no load on operator. Gate is non-operational while this fault is triggered.	Possible causes: <ul style="list-style-type: none"> ● Motor wires disconnected. ● DC switch off. ● Arm assembly disconnected ● Taper clamp too loose 	<ol style="list-style-type: none"> 1. Check DC motor wires condition and connection to drive module. 2. Turn DC power switch on. 3. Tighten taper clamp. 4. Press RESET to clear fault.
FAULT 14 STUCK GATE	SmartCNX Controller could not overcome stuck gate after 3 attempts. Gate is non-operational while this fault is triggered.	Caused by broken gate hardware or ice/snow buildup.	<ol style="list-style-type: none"> 1. Check and correct gate hardware as required. 2. Press RESET to clear fault.

Table 3. SmartCNX Controller - Troubleshooting

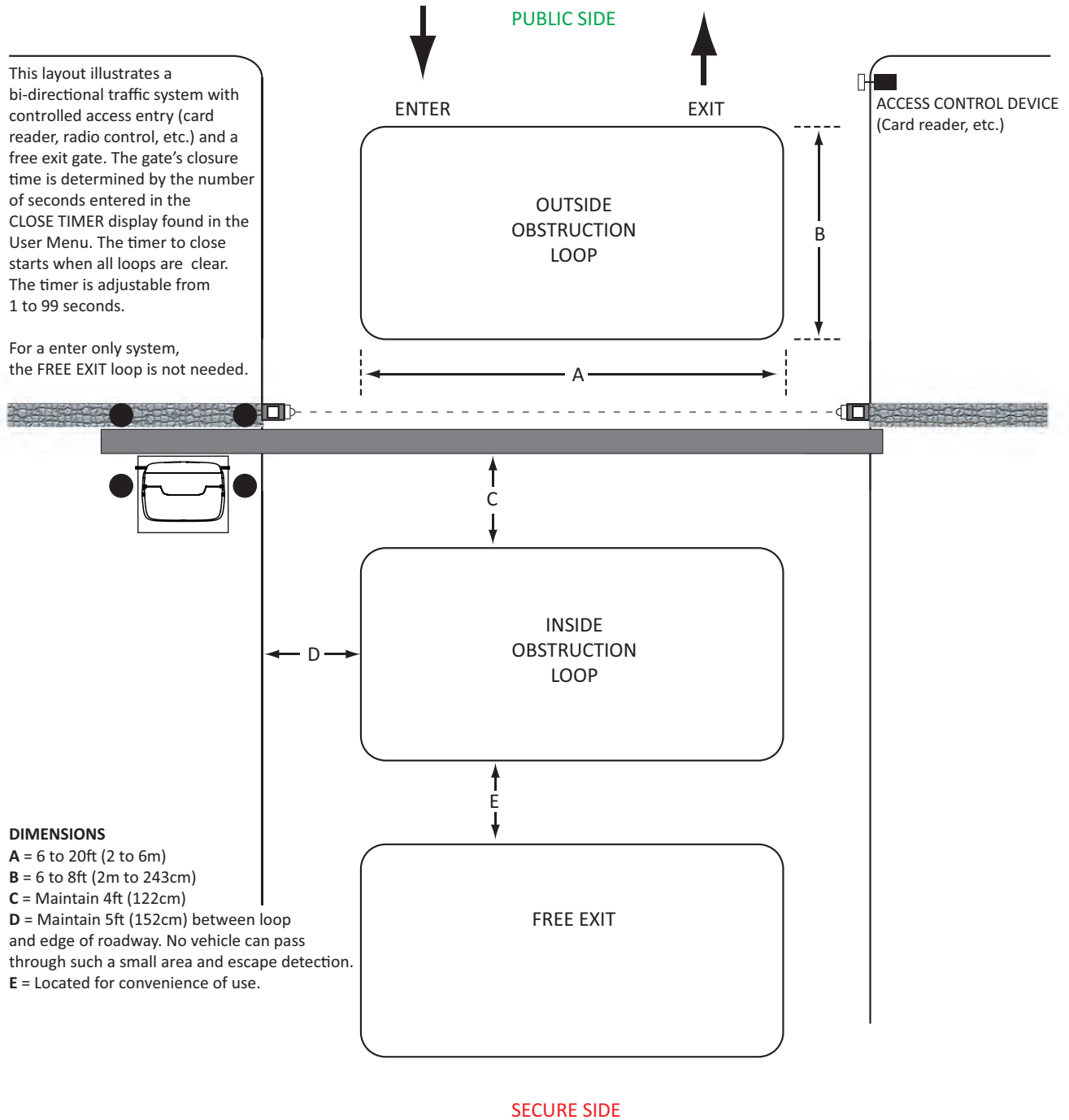
Display Condition	Description Alert, Error or Fault	Possible Causes	Solutions
ERROR 1 DIRECTION ERROR	SmartCNX Controller detects operator ran in wrong direction.	Limit sensor plugs switched on drive module.	<ol style="list-style-type: none"> 1. Switch limit sensor plugs or reset operator handing Left Hand/Right Hand. 2. Press RESET to clear fault.
ERROR 3 Hy5B FAILED*	SmartCNX Controller detects communication error with a Hy5B vehicle detector.	Caused by Hy5B removal or socket connection integrity.	<ol style="list-style-type: none"> 1. Press RESET. 2. Remove and re-install Hy5B. 3. Replace Hy5B, if needed.
ERROR 4 PRIMARY- SECONDARY COM	SmartCNX Controller detects a communication error between primary and secondary in a dual gate installation.	<p>Several possible causes:</p> <ul style="list-style-type: none"> ● Primary/Secondary communication cable is installed incorrectly. ● Primary/Secondary not configured properly through Installer Menu. ● Operator is not properly earth grounded. ● Primary/Secondary communication cable installed in same conduit as high-voltage AC power. ● One operator is powered off. ● Different software versions between operators. Check software version currently loaded in operator by pressing RESET. 	<ol style="list-style-type: none"> 1. Correct communication cable. 2. Verify one operator is set as Primary and the other is set as Secondary. 3. Install ground rod per NEC/NFPA standard. 4. Install communication cables in a low voltage conduit. 5. Ensure AC power is present at both operators and all power switches are On. 6. Make sure both operators are running same software version.

* Message indicates which detector the alert applies to: Exit Loop (ELD), Inside Obstruction Loop (IOLD), Outside Obstruction Loop (OOLD), or Center Loop (CLD).

Table 3. SmartCNX Controller - Troubleshooting

Display Condition	Description Alert, Error or Fault	Possible Causes	Solutions
ERROR 5 No display	Display is blank, but the error appears in the START log and means that SmartCNX Controller detects a serious internal error.	Internal software/hardware error. Report any instance of this error to HySecurity Technical Support.	<ol style="list-style-type: none"> 1. Set AD & DC switches to off to reset software. 2. Update to latest software version with START. 3. Replace SmartCNX Controller.
ERROR 6 DRIVE BOARD COMM	Indicates communication failure between drive module and SmartCNX Controller.	Drive module communication is bad or the drive module may be bad.	<ol style="list-style-type: none"> 1. Verify connection between SmartCNX Controller and drive module (HSP1). 2. Replace drive module.
ERROR 7 MENU CHECKSUM	Software issue exists that may require factory reset.	Corrupt software or data.	Call HySecurity Technical Support for assistance.
ERROR 8 RPM SENSOR	RPM sensor disconnected.	Motor Encoder or wires are damaged or unplugged.	Check wiring from motor to drive module.
ERROR 9 BATTERY DISCONN	SmartCNX Controller detects no battery connected.	<p>Batteries are disconnected, or a wiring fault exists.</p> <p>Only appears when the batteries are disconnected and the only input power is solar panels.</p>	<ol style="list-style-type: none"> 1. Connect battery harness to drive module. 2. Correct any issues with battery wiring. 3. Check 20 amp fuse on drive module.

APPENDIX A - VEHICLE DETECTOR LOOPS



Vehicle Detectors and Loop Layout for Slide Gates

APPENDIX B - FRENCH TRANSLATIONS

FRENCH TRANSLATIONS

The following French translations provided below are found in the Safety Section located at the beginning of the manual.

English	French
<p>IMPORTANT SAFETY INSTRUCTIONS WARNING – To reduce the risk of injury or death:</p>	<p>INSTRUCTIONS DE SÉCURITÉ IMPORTANTES AVERTISSEMENT – Pour réduire les risques de blessures et de mort :</p>
<p>1. READ AND FOLLOW ALL INSTRUCTIONS.</p>	<p>1. LISEZ CETTE NOTICE ET CONFORMEZ-VOUS AUX MISES EN GARDE</p>
<p>2. Never let children operate or play with gate controls. Keep the remote control away from children.</p>	<p>2. Ne laissez jamais les enfants manoeuvrer les commandes de la barrière ou jouer avec celles-ci. Laissez la télécommande hors de la portée des enfants.</p>
<p>3. Always keep people and objects away from the gate. NO ONE SHOULD CROSS THE PATH OF THE MOVING GATE.</p>	<p>3. Tenez toujours à l'écart de la barrière toute personne ou tout objet avoisinant. IL NE FAUT JAMAIS PASSER DANS LA TRAJECTOIRE D'UNE BARRIÈRE EN MOUVEMENT.</p>
<p>4. Test the gate operator monthly. The gate MUST reverse on contact with a rigid object or stop when an object activates the non-contact sensors. After adjusting the force or the limit of travel, retest the gate operator. Failure to adjust and retest the gate operator properly can increase the risk of injury or death.</p>	<p>4. Vérifiez le fonctionnement de l'ouvre-barrière une fois par mois. Le sens de la course DOIT s'inverser lorsque la barrière entre en contact avec un objet dur ou la barrière DOIT s'arrêter lorsqu'un objet active les capteurs sans contact. Vérifiez à nouveau l'ouvre-barrière après tout réglage de la force de déclenchement ou du seuil de fin de course. Un réglage incorrect de l'ouvre-barrière ou l'omission de vérifier à nouveau le fonctionnement de l'ouvre-barrière peut causer des blessures, voire la mort.</p>
<p>5. Use the emergency release only when the gate is not moving.</p>	<p>5. Ne déclenchez le dispositif de désaccouplement d'urgence que lorsque la barrière ne bouge pas.</p>
<p>6. KEEP GATES PROPERLY MAINTAINED. Read the user's manual. Have a qualified service person make repairs to gate hardware.</p>	<p>6. ASSUREZ-VOUS QUE LA BARRIÈRE EST CORRECTEMENT ENTRETENUE. Lisez le manuel de l'utilisateur. Confiez la réparation du matériel de la barrière à un technicien qualifié.</p>
<p>7. The entrance is for vehicles only. Pedestrians must use separate entrance.</p>	<p>7. La voie d'accès est réservée aux véhicules seulement. Les piétons doivent utiliser une voie d'accès différente.</p>
<p>8. SAVE THESE INSTRUCTIONS.</p>	<p>8. CONSERVEZ CES INSTRUCTIONS.</p>

APPENDIX B - FRENCH TRANSLATIONS

English	French
2.3 Install the gate operator only when:	2.3 N'installez l'ouvre-barrière que si :
a. The operator is appropriate for the construction of the gate and the usage Class of the gate,	a. l'ouvre-barrière est approprié pour la structure et la classe d'utilisation de la barrière;
b. All openings of a horizontal slide gate are guarded or screened from the bottom of the gate to a minimum of 1.83 m (6 ft) above the ground to prevent a 57.2 mm (2-1/4 inch) diameter sphere from passing through the openings anywhere in the gate, and in that portion of the adjacent fence that the gate covers in the open position,	toutes les ouvertures de la barrière coulissante sont protégées ou grillagées du bas de la porte jusqu'à un minimum de 1,83 m (6 pi) du sol si bien qu'une sphère de 57,2 mm (2 1/4 po) de diamètre ne peut passer par une ouverture au niveau de la barrière et de la portion de la clôture adjacente que la barrière couvre en position ouverte;
c. All exposed pinch points are eliminated or guarded, and	c. tous les points de pincement sont éliminés ou protégés;
d. Guarding is supplied for exposed rollers.	d. des protections sont fournies pour les galets exposés.
2.4 The operator is intended for installation only on gates used for vehicles. Pedestrians must be supplied with a separate access opening. The pedestrian access opening shall be designed to promote pedestrian usage. Locate the gate such that persons will not come in contact with the vehicular gate during the entire path of travel of the vehicular gate.	2.4 L'ouvre-barrière est destiné à n'être installé que sur des barrières utilisées pour les véhicules. Il faut fournir une autre voie d'accès aux piétons. La voie d'accès pour les piétons doit être conçue pour favoriser le passage des piétons. Placez la barrière de sorte que personne ne puisse entrer en contact avec la barrière pour les véhicules sur l'ensemble de sa trajectoire
2.5 The gate must be installed in a location so that enough clearance is supplied between the gate and adjacent structures when opening and closing to reduce the risk of entrapment. Swinging gates shall not open into public access areas.	c) Pour réduire les risques de coincement lors de l'ouverture et de la fermeture, la barrière doit être installée dans un endroit où la barrière et les structures avoisinantes sont suffisamment éloignées l'une de l'autre. Les barrières battantes ne doivent pas ouvrir dans une zone d'accès public.

APPENDIX B - FRENCH TRANSLATIONS

English	French
2.6 The gate must be properly installed and work freely in both directions prior to the installation of the gate operator. Do not over-tighten the operator clutch or pressure relief valve to compensate for a damaged gate.	2.6 La barrière doit être bien installée et fonctionner librement dans les deux directions avant d'entreprendre l'installation de l'ouvre-barrière. Ne serrez pas trop l'embrayage ou la soupape de surpression de l'ouvre-barrière pour compenser une barrière endommagée.
2.7 Controls intended for user activation must be located at least 1.83 m (6 ft) away from any moving part of the gate and where the user is prevented from reaching over, under, around or through the gate to operate the controls. Exception: Emergency access controls only accessible by authorized personnel (e.g. fire, police, EMS) may be placed at any location in the line-of-sight of the gate.	2.7 Les commandes destinées à l'activation par l'utilisateur doivent être situées à au moins 1,83 m (6 pi) des pièces mobiles de la barrière et à un endroit où l'utilisateur ne peut pas atteindre les commandes par le dessus, par le dessous, par les côtés et au travers de la barrière. Exception : Les commandes d'accès d'urgence accessibles au personnel autorisé seulement (p. ex. pompier, policier, SMU) peuvent être placées à tout endroit dans le champ de visibilité de la barrière.
2.8 The Stop and/or Reset button must be located in the line of-sight of the gate. Activation of the reset control shall not cause the operator to start.	2.8 Le bouton d'arrêt, le bouton de réenclenchement ou ces deux boutons doivent être situés dans le champ de visibilité de la barrière. L'activation des commandes de réenclenchement ne doit pas mettre en marche l'ouvrebarrière.
2.9 A minimum of two (2) WARNING SIGNS shall be installed, in the area of the gate. Each placard is to be visible by persons located on the side of the gate on which the placard is installed.	2.9 Au moins deux panneaux de mise en garde doivent être installés dans la zone de la barrière. Chaque étiquette doit être visible des personnes situées de chaque côté de la barrière sur laquelle l'étiquette est installée.
2.10 For gate operators utilizing a non-contact sensor	2.10 Pour les ouvre-barrières qui fonctionnent avec des capteurs
a. See instructions on the placement of non-contact sensors for each Type of application,	a. Voir les instructions sur le positionnement des capteurs sans contact pour chaque type d'utilisation.
b. Care shall be exercised to reduce the risk of nuisance tripping, such as when a vehicle, trips the sensor while the gate is still moving, and	b. Des précautions doivent être prises pour réduire les risques de déclenchement inutile, comme lorsqu'un véhicule déclenche le capteur alors que la barrière est encore en mouvement.
c. One or more non-contact sensors shall be located where the risk of entrapment or obstruction exists, such as the perimeter reachable by a moving gate or barrier.	c. Un capteur sans contact ou plus doit être situé où il existe un risque de coincement ou d'obstruction, comme dans l'espace que peut occuper la barrière lorsqu'elle est en mouvement.
2.11 For a gate operator utilizing a contact sensor	2.11 Pour les ouvre-barrières qui fonctionnent avec des capteurs

APPENDIX B - FRENCH TRANSLATIONS

English	French
<p>a. One or more contact sensors shall be located where the risk of entrapment or obstruction exists, such as at the leading edge, trailing edge, and postmounted both inside and outside of a vehicular horizontal slide gate.</p>	<p>a. Au moins un capteur de contact doit être situé où il existe un risque de coincement ou d'obstruction, comme sur le bord d'ouverture, sur le bord de fermeture et sur les poteaux montés sur l'intérieur ou l'extérieur d'une barrière coulissante pour véhicules.</p>
<p>b. A hardwired contact sensor shall be located and its wiring arranged so that the communication between the sensor and the gate operator is not subjected to mechanical damage.</p>	<p>b. Un capteur de contact doit être installé et câblé de sorte à éviter que la communication entre le capteur et l'ouvrebarrière soit gênée par des dommages mécaniques.</p>
<p>c. A wireless device such as one that transmits radio frequency (RF) signals to the gate operator for entrapment protection functions shall be located where the transmission of the signals are not obstructed or impeded by building structures, natural landscaping or similar obstruction. A wireless device shall function under the intended end-use conditions.</p>	<p>c. Un dispositif sans fil, comme un appareil qui transmet des signaux de radiofréquence (RF) à l'ouvre-barrière pour prévenir le coincement, doit être situé à un endroit où la transmission des signaux ne sera pas obstruée ou gênée par des structures, des arbres ou d'autres obstacles similaires. Un dispositif sans fil doit fonctionner selon les conditions d'utilisation finale prévues.</p>
<p>d. One or more contact sensors shall be located on the inside and outside leading edge of a swing gate. Additionally, if the bottom edge of a swing gate is greater than 152 mm (6 inches) but less than 406 mm (16 inches) above the ground at any point in its arc of travel, one or more contact sensors shall be located on the bottom edge.</p>	<p>d. Au moins un capteur de contact doit être situé sur les bords d'ouverture intérieur et extérieur d'une barrière battante. De plus, si le dessous d'une barrière battante est situé à plus de 152 mm (6 po) mais à moins de 406 mm (16 po) du sol à l'un des points de sa trajectoire, au moins un capteur de contact doit être situé sur le bord inférieur.</p>

1. Warranty.

Hy-Security Gate, Inc. ("HySecurity") warrants that at the time of sale each HySecurity-branded product that it sells will, in all material respects, conform to its then applicable specification and will be free from defects in material and manufacture.

The following additional durational warranties apply to HySecurity products, depending on whether (1) the product is purchased through an authorized HySecurity distributor and (2) whether a timely and complete product registration is submitted to HySecurity.

It is therefore important that you register your product with HySecurity, online at www.hysecurity.com/warranty, within the 60-day period described below.

1(a) HySecurity Products Purchased Through Authorized Distributors and Properly Registered

For any gate operator product that is purchased from an authorized HySecurity distributor (this excludes product purchased through internet resellers or any distributor not authorized by HySecurity), if the product registration is completed by the Dealer/Installer or End User within 60 days of the date of purchase, the following warranty terms will apply. HySecurity warrants that the product will remain serviceable for the following periods:

- a) Hydraulic industrial gate operator hydraulics, controls, and mechanical components: Five Years or 500,000 gate cycles (whichever occurs first) after the date of installation,
- b) Hydraulic wedge operator hydraulics and controls: Five Years or 500,000 cycles (whichever occurs first) after the date of installation. Wedge mechanical components: Two Years after the date of installation,
- c) Electromechanical pad-mounted Slide and Swing operators: Five Years or 500,000 cycles (whichever occurs first) after the date of installation, except single family residential usage, where the warranty term shall be Seven Years after the date the product was shipped from HySecurity,
- d) Electromechanical linear actuator Swing operators: Two Years after the date of installation,
- e) Electromechanical surface mount wedge operator electronics: Two Years or 500,000 gate cycles (whichever occurs first), after the date of installation,
- f) Electromechanical Barrier Arm Operators: Two years or 1,000,000 gate cycles (whichever occurs first) after the date of installation,

provided that the preceding Five Year warranty period in (a), (b), and (c) will not extend beyond seven years from the date that the product was shipped from HySecurity, and the Two Year warranty period in (b), (d), (e), and (f) will not extend beyond four years from the date that the product was shipped from HySecurity.

The preceding warranty durations do not apply to the products or components described below (g-j), which have a shorter warranty period:

- g) Hydraulic gate operator drive wheels, including XtremeDrive™ wheels and rack: Two Years from date of installation.
- h) AC and DC power supplies, chargers, and inverters and HyNet™ Gateway: Two Years from date of installation, except batteries.
- i) Batteries: One Year from date of shipment from HySecurity.
- j) Components subject to normal wear including, but not limited to, chains, belts, idler wheels, sprockets and fuses: One Year from date of installation.

1(b) HySecurity Products Not Purchased Through an Authorized Distributor or Not Properly Registered within 60 Days

For any product that is not purchased from an authorized HySecurity distributor or for which the product registration was not completed by the Dealer/Installer/End User within sixty (60) days of the date of purchase, the following warranty will apply: HySecurity warrants that the product will remain serviceable for the following periods, which begin on the date that the product was shipped from HySecurity:

- a) All gate operators: One Year or 100,000 gate cycles, whichever comes first.
- b) AC and DC power supplies, chargers, or inverters: One Year.
- c) HyNet™ Gateway: One Year.
- d) Hydraulic gate operator drive wheels: One Year.

1(c) Replacement Parts

HySecurity warrants that replacement parts (whether new or reconditioned) will remain serviceable for One Year from the date that the part was shipped from HySecurity or the remaining period of the Gate Operator warranty, whichever is longer.

1(d) Limitations and Exclusions Applicable to Each of the Preceding Warranties.

The preceding warranties shall not apply to equipment that has been (1) installed, maintained, or used improperly or contrary to instructions; (2) subjected to negligence, accident, vandalism, or damaged by severe weather, wind, flood, fire,

terrorism or war; or (3) damaged through improper operation, maintenance, storage or abnormal or extraordinary use or abuse. Any modification made to products will void the warranty unless the modifications are approved in writing by HySecurity in advance of the change (this exclusion does not apply to normal installation of approved accessories and/or protective devices or sensors). It is the responsibility of the Distributor, Dealer/Installer, or End User to ensure that the software version in the product is maintained to the latest revision level.

The preceding warranties do not extend to accessories when those items carry another manufacturer's name plate and they are not a part of the base model. HySecurity disclaims all warranties for such accessory components, which carry only the original warranty, if any, of their original manufacturer. HySecurity hereby assigns its rights under such manufacturer warranties—to the extent that such rights are assignable—to Buyer.

These warranties extend to HySecurity's Distributors, to the Dealer/Installer, and to the first End User of the product following installation. They do not extend to subsequent purchasers.

2. Exclusion of Other Warranties.

The warranties contained in Section 1 are the exclusive warranties given by HySecurity and supersede any prior, contrary or additional representations, whether oral or written. Any prior or extrinsic representations or agreements are discharged or nullified. HYSECURITY HEREBY DISCLAIMS AND EXCLUDES ALL OTHER WARRANTIES—WHETHER EXPRESS, IMPLIED, OR STATUTORY—INCLUDING ANY WARRANTY OF MERCHANTABILITY, ANY WARRANTY OF FITNESS FOR A PARTICULAR PURPOSE, ANY LIABILITY FOR INFRINGEMENT, AND ANY WARRANTIES OTHERWISE ARISING FROM COURSE OF DEALING, COURSE OF PERFORMANCE, OR USAGE OF TRADE.

3. Buyer's Exclusive Remedies for Any Nonconformity.

If a HySecurity product fails to conform to the warranties in Section 1, Buyer must notify and order replacement parts from the Distributor through which the product was purchased within a reasonable time and in no event more than thirty (30) days after the discovery of the nonconformity. HySecurity will investigate and, in the event of a breach, will provide, within a reasonable period of time, one of the following:

- (1) repair or replacement of any nonconforming products or components or
- (2) refund of the price upon return of the nonconforming items. HySecurity reserves the right to supply used or reconditioned material for all warranty claims. HySecurity will not be considered to be in breach of or default under this Warranty because of any failure to perform due to conditions beyond its reasonable control, including any force majeure. This warranty does not cover any incidental expenses, including fines or penalties, temporary security, labor, shipping, travel time or standby time that are incurred for inspection or replacement of any nonconforming items. As a condition of warranty coverage, warranty claims must be submitted in accordance with the procedures described on the HySecurity form, "RMA Procedures."

THE REMEDY SELECTED BY HYSECURITY IN ACCORDANCE WITH THIS PARAGRAPH SHALL BE THE EXCLUSIVE AND SOLE REMEDY OF BUYER FOR ANY BREACH OF WARRANTY.

4. Exclusion of Consequential and Incidental Damages.

HYSECURITY SHALL NOT BE LIABLE FOR ANY INCIDENTAL, SPECIAL, OR CONSEQUENTIAL DAMAGES, WHETHER RESULTING FROM NONDELIVERY OR FROM THE USE, MISUSE, OR INABILITY TO USE THE PRODUCT OR FROM DEFECTS IN THE PRODUCT OR FROM HYSECURITY'S OWN NEGLIGENCE. This exclusion applies regardless of whether such damages are sought for breach of warranty, breach of contract, negligence, or strict liability. This exclusion does not apply to claims for bodily injury or death.

5. Severability.

If any provision of this warranty is found to be invalid or unenforceable, then the remainder shall have full force and effect.

6. Proprietary Rights.

HySecurity retains and reserves all right, title, and interest in the intellectual property rights of its products, including any accompanying proprietary software. No ownership of any intellectual property rights in the products or accompanying software is transferred to Distributor, Dealer/Installer, or End User.

7. Applicable Law.

This warranty will be interpreted, construed, and enforced in all respects in accordance with the laws of the State of Washington, without reference to its choice of law principles. The U.N. Convention on Contracts for the International Sale of Goods will not apply to this warranty.

SlideSmart™ CNX Model, AC or Solar

Standard	SlideSmart CNX 15
Solar	Solar ready for 24V
Gate Weight Max.	1,500 lb (680 kg)
Gate Length Max.	50 ft (15 m)
Pull Force*	300 lb
Rate of Travel	0.75, 1 or 1.25 ft/s (23, 30 or 38 cm/s)** Open/Close speed set independently
Duty Cycle	Continuous
Horsepower	Equivalent to 1/2 hp
Drive	Electromechanical - 24V Brushless DC motor with direct drive gear train
UPS Battery Backup Cycles***	Field configurable to fail open or secure when batteries deplete. Standard battery backup gate travel: Two 8Ah batteries. Up to 4,000 ft (1,219 m) after AC power loss. Extended battery backup gate travel: Two 35Ah batteries. Up to 18,000 ft (5,486 m) after AC power loss.
Temperature Rating	-13° to 158°F (-25° to 70°C)
Operating Voltage	24VDC
Input Voltage	Switch select 115V or 208-230V, 60/50 Hz; Solar: 24V solar panels †
Accessory Power	24VDC at each input & SS relay (1A accumulative)
Communication	BlueBUS, USB, Ethernet, T4, RS-485, Bluetooth
User Controls	SmartCNX Controller with 70+ configurable settings. 32 character OLED display and 7 tactile buttons, or Bluetooth smartphone interface, for programming.
Relays	3 configurable user relays: Two 30VDC, 3A solid state. One 240VAC, 10A electromechanical; Optional SmartCNX I/O Expansion module for 8 additional relay outputs
Finish	Zinc rich primer with black powder coated chassis. High impact copolymer cover.
ETL Listed (UL 325)	Usage Class I, II, III, IV**
Warranty	5 year (7 year single-family residential)

* Nice HySecurity manufactures only reliable and powerful gate operators and provides an extra margin of power to be certain the gate works in adverse conditions. Some manufactures overstate the length and weight capacity of their operators, but Nice HySecurity rates conservatively. Note that our pull force ratings are substantial and that extra margin of power is part of the HySecurity reputation for reliability.

** Speed setting cannot be configured to exceed 1 ft/s for Class I and II usage.

***The actual number of gate cycles available from battery depends upon gate resistance to travel, cycle length, battery size, state of charge and health, ambient temperature, accessory power draw and frequency of gate cycles during power outage.

† 40 Watt minimum 24VDC solar panel (or two 12V - 20W panels wired in series), not included but required for solar operation. Visit www.hysecurity.com or call for information on solar panel size calculations.

To enable fully automatic operation, all SLIDE gate operators require a minimum of TWO monitored external entrapment protection sensors (one for each direction) to protect entrapment zones in both the open and close direction of travel. Visit www.hysecurity.com/gatesafety for more information on UL 325 standards and gate safety.