

## WedgeSmart DC™ Operator Order Form

Date: \_\_\_\_\_ Person completing this form: \_\_\_\_\_

Contact Name: \_\_\_\_\_ Contact Phone: \_\_\_\_\_

Contact Email: \_\_\_\_\_

Job Name: \_\_\_\_\_ Job site city: \_\_\_\_\_ State: \_\_\_\_\_

1) **Security Type:**    Theft (Prevent unauthorized exit)    Threat (Prevent unauthorized entry)

2) **Model:**

WedgeSmart DC                       WedgeSmart DCS (Solar)

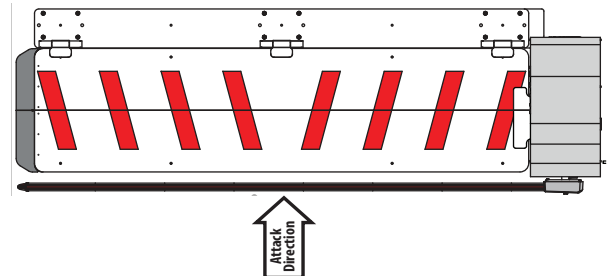
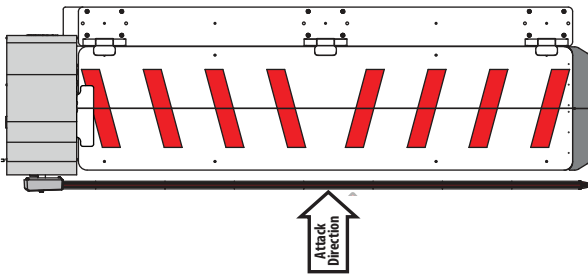
3) **Wedge Handing:** Operator handing is determined by **STANDING ON THE ATTACK SIDE AND FACING THE ARM.**

**Is it a Single Wedge?**    Yes

No    **If it is a Dual Wedge check both LH & RH options below.**

Left hand wedge    Qty: \_\_\_\_\_

Right hand wedge    Qty: \_\_\_\_\_

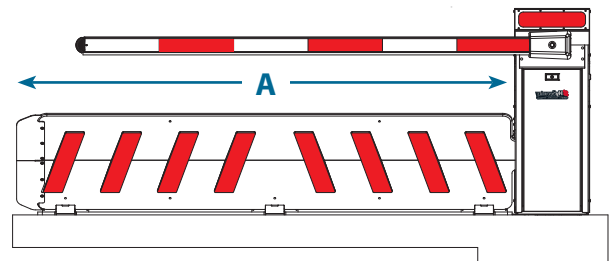
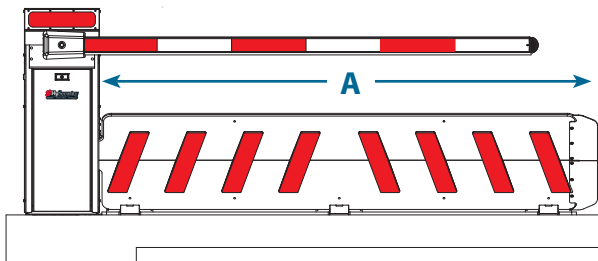


**Wedge Plate Length (A):** (Check One)

- 9 ft, 21 inch plate height (274 cm/53.3 cm height)
- 10 ft, 21 inch plate height (305 cm/53.3 cm height)
- 12 ft, 18 inch plate height (366 cm/45.7 cm height)
- 14 ft, 18 inch plate height (427 cm/45.7 cm height)

**Wedge Plate Length (A):** (Check One)

- 9 ft, 21 inch plate height (274 cm/53.3 cm height)
- 10 ft, 21 inch plate height (305 cm/53.3 cm height)
- 12 ft, 18 inch plate height (366 cm/45.7 cm height)
- 14 ft, 18 inch plate height (427 cm/45.7 cm height)



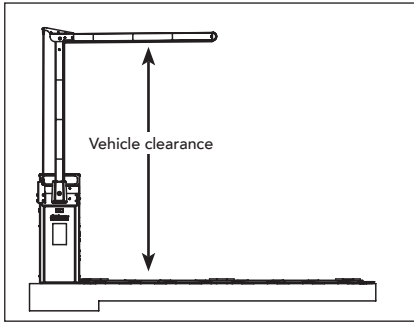
**4) Arm Type:**

- Standard arm Qty: \_\_\_\_\_

(Note: 9 ft plate = 9 ft arm/10 ft plate = 10 ft arm)

**Articulating arm**

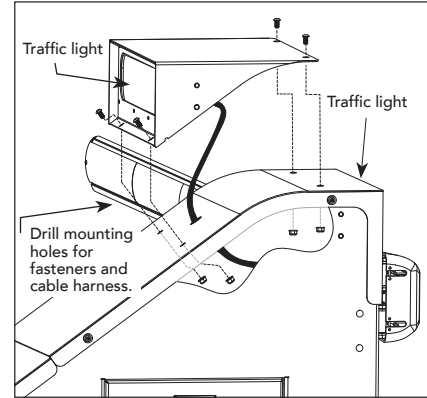
- 7 ft clear/8 ft extended (213 cm/244 cm) Qty: \_\_\_\_\_
- 8 ft clear/10 ft extended (244 cm/305 cm) Qty: \_\_\_\_\_
- 9 ft clear/11 ft extended (274 cm/335 cm) Qty: \_\_\_\_\_



**5) Options:**

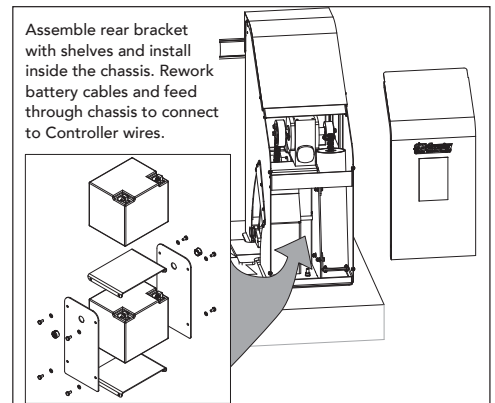
- Traffic Light Option**

An additional traffic light can be mounted on the chassis and is useful in bi-directional traffic situations.



**6) Installation tools and accessories:**

- Qty:\_\_\_\_\_ MX3900 Rear bracket battery shelf. If the operator is mounted close to a wall, the side door access may be blocked. A rear bracket battery shelf option is available. The packaged option kit (MX3900) comes equipped with mounting hardware and battery extension wires and connectors. (See illustration)
- Qty:\_\_\_\_\_ MX3700 Lifting strap and eyebolt kit (For lifting and maneuvering the wedge plate during installation.)
- Qty:\_\_\_\_\_ MX3873 Hilti Adhesive Dispenser (Adhesive and nozzles are supplied with each operator, however the dispenser is not included.)
- Qty:\_\_\_\_\_ MX3536 Wedge chassis template (One template is supplied with each operator. This extra template will be shipped ahead of the operators to assist site planning and concrete layout.)



**The order form must be fully completed and signed before the order will be processed. Review form to be sure all appropriate boxes were checked.**

**It is the responsibility of the customer to verify that the information on this order form is accurate. All custom orders are non-returnable.\***

Ship To Company: DF Supply, Inc.  
 Address: 10050 Wellman Rd.  
 City, State, Zip: Streetsboro, OH 44241

- Indicates an additional charge.